



ZMU

ADDRESSABLE ZONE MONITORING UNIT

MADE IN PORTUGAL - EU

GLOBAL FIRE EQUIPMENT S.A.

Sítio dos Barrabés, Armazém Nave Y, Caixa Postal 908-Z, 8150-016 São Brás de Alportel - PORTUGAL | Tel: +351 289 896 560
 Email: info@globalfire-equipment.com | Technical Support: techs@globalfire-equipment.com | www.globalfire-equipment.com

TECHNICAL SPECIFICATIONS

SUPPLY VOLTAGE	Loop Powered - 20 V to 30 V DC
LOOP CURRENT - LOOP POWERED	1.5 mA (Quiescent) - 3.5 mA (Zone OC) 24 mA (FIRE) - 28 mA (Zone Short-Circuit)
LOOP CURRENT - EXTERNAL SUPPLY	0.5 mA
CURRENT - EXTERNAL SUPPLY	3.8 mA (Quiescent) - 5.8 mA (Zone OC) @ 28V DC nominal 26.3 mA (FIRE) - 30.8 mA (Zone Short-Circuit) @ 28V DC nominal
MAX. CONVENTIONAL DEVICES/ ZONE	32
MAX. NO. OF MODULES/ LOOP	20 Loop Powered
MAX. CABLE SIZE	2.5 mm ²
CASE COLOUR / CASE MATERIAL	White / ABS - Flame Retardant rating 94V0
OPERATING TEMPERATURE / MAX. HUMIDITY	-10°C to 50°C / 95% RH Non-Condensing
DIMENSIONS / WEIGHT	100.3 (D) x 48 (H) mm / 109 g inc. packaging

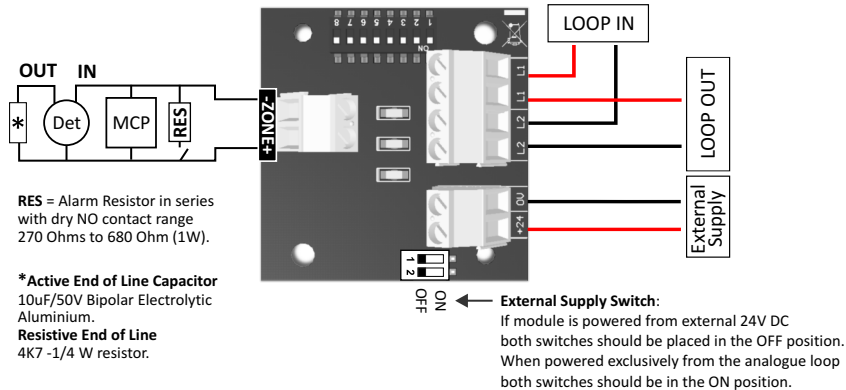
ORDER CODE

DESCRIPTION

ZMU

ADDRESSABLE ZONE MONITORING UNIT

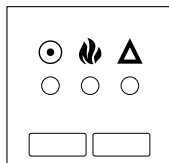
CONNECTIONS



NOTE: Maximum 32 conventional devices per zone.
 (Max. 9 mA total quiescent consumption allowed per zone).

REPORTING DETAILS

In order to indicate the status of the module's working condition, three LEDs are provided:

**STATUS: Green LED.**

Pulses at every panel poll.

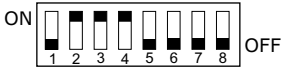
**FIRE: Red LED.**

ON when zone is in alarm.

**FAULT: Yellow LED.**

ON while there is an open or short-circuit condition in the zone. It will also be activated if E.O.L. capacitor is removed.

ADDRESSING D.I.L. SWITCH CONFIGURATION



Switches 1-7 - Used to configure the module's address.

Switch 8 - OFF: Active End of Line / ON: Resistive End of Line.

(Special function on Programming Mode.

More details at Programming Manual available at our website).

ADDRESS SETTINGS

01	02	03	04	05	06	07	08
09	10	11	12	13	14	15	16
17	18	19	20	21	22	23	24
25	26	27	28	29	30	31	32
33	34	35	36	37	38	39	40
41	42	43	44	45	46	47	48
49	50	51	52	53	54	55	56
57	58	59	60	61	62	63	64
65	66	67	68	69	70	71	72
73	74	75	76	77	78	79	80
81	82	83	84	85	86	87	88
89	90	91	92	93	94	95	96
97	98	99	100	101	102	103	104
105	106	107	108	109	110	111	112
113	114	115	116	117	118	119	120
121	122	123	124	125			