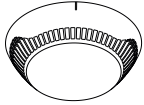
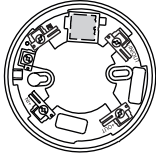
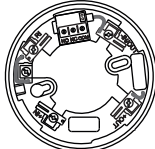








# Wet Base



## Waterproof Deep Base Accessory

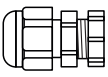
For mounting into difficult and harsh environments, and areas with high humidity.


✓	<b>SensoIRIS Series</b>		+				
				B124	T110, T110 IS S130, S130 IS	M140, M140 IS	
✓	<b>SensoMAG Series</b>		+				
				B24/B24D/B24RD	B12L/U	F10, F10B, R20, S30	M40


  RAL 9016

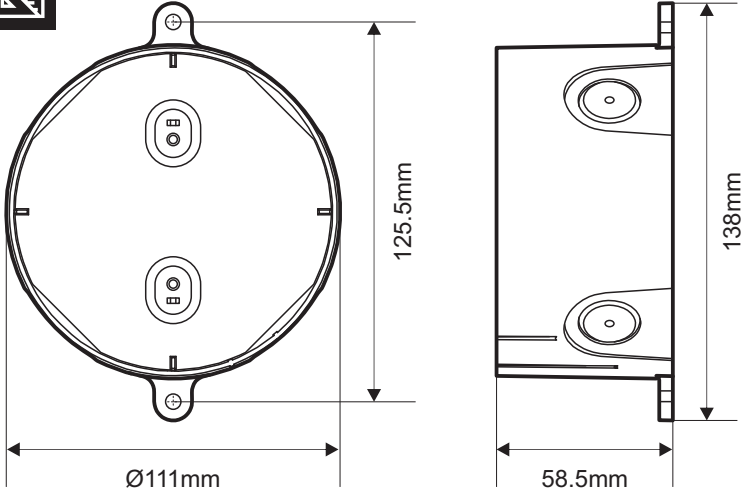
 **ABS**   $-10^{\circ}\text{C} \div +60^{\circ}\text{C}$   
 $(93\pm 3)\% @ +40^{\circ}\text{C}$

 ~76g  0.4-2.00 mm<sup>2</sup>


**IP42**  Use cable glands M20\* for protection of the installation cables.  
\* Note: The cable glands are not included in the supplied equipment.

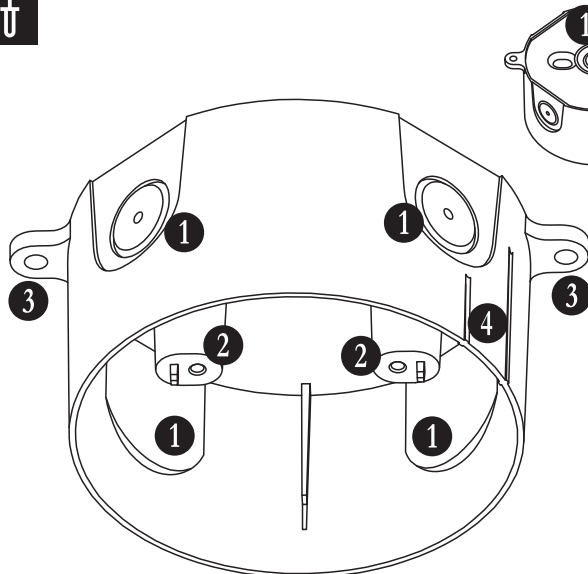





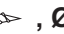




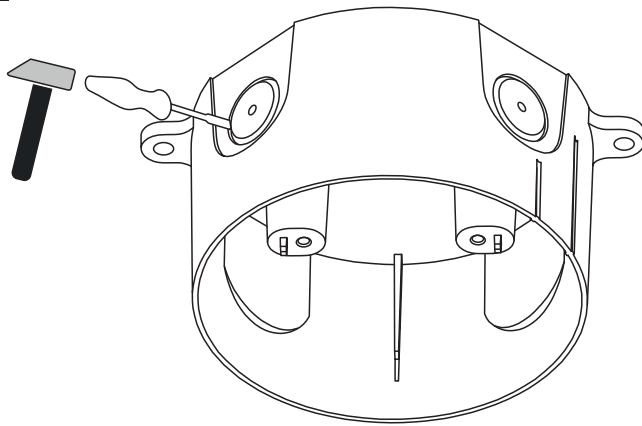
Ø111mm, 125.5mm, 58.5mm, 138mm



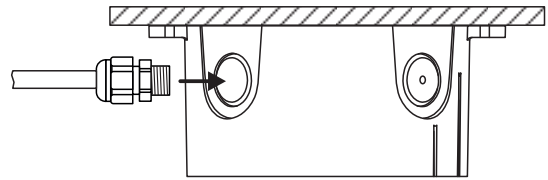


- 1** 5 x M20  →  **1**
- 2** 2x , Ø3mm → **2**  
(4X12DIN 7981 PZ2)
- 3** 2x , Ø5mm → **2**  
(according the mounting surface)
- 4** Mounting marks → **3**

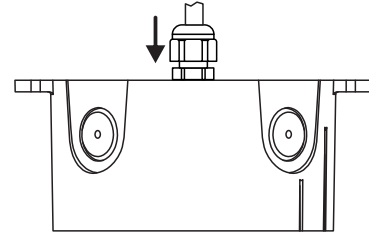
1



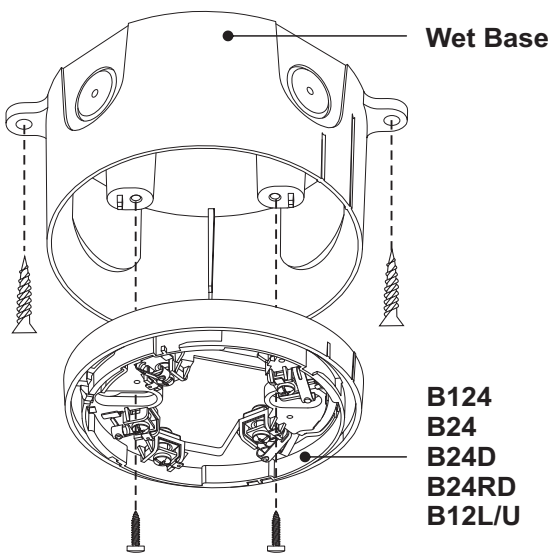
Surface Mounting



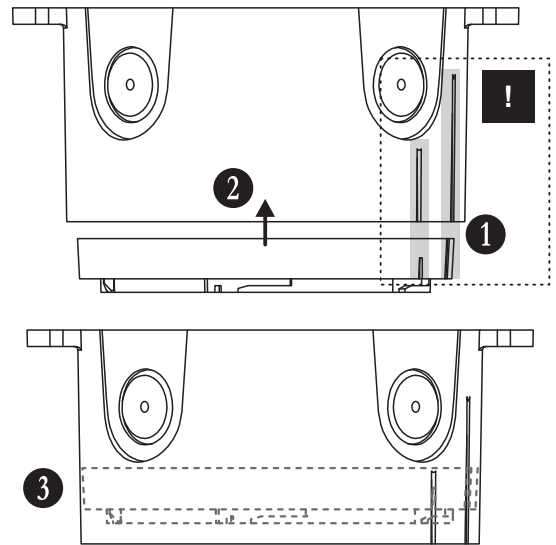
Pendant Mounting



2



3



4

B124/B24/B24D/B24RD/B12L/U

