



# VULCAN 2 VOX A

## ADDRESSABLE VOICE SOUNDER

MADE IN PORTUGAL - EU

### GLOBAL FIRE EQUIPMENT S.A.

Parque Industrial Municipal da Barracha, 8150-017 São Brás de Alportel - PORTUGAL | Tel: +351 289 896 560  
 Email: info@globalfire-equipment.com | Technical Support: techs@globalfire-equipment.com | www.globalfire-equipment.com

### TECHNICAL SPECIFICATIONS

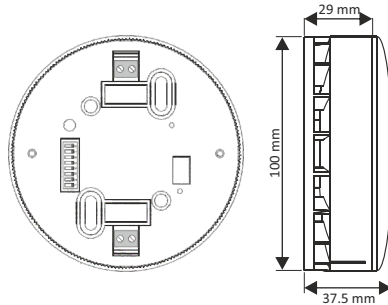
SUPPLY VOLTAGE	Loop: 20 V to 30 V DC
LOOP CURRENT	0.6 mA (Quiescent) - 7.5 mA MAX. (sounder active or charging)
LOOP CURRENT - ALARM BEACON	1,4 mA
SOUND OUTPUT @ 1 METER	Tone 90 dBA - Voice Message 94 dBA
TOTAL AUDIO MEMORY SIZE	4 minutes (decoded audio) up to 16 min (encoded audio)
MAX. CABLE SIZE	2.5 mm <sup>2</sup>
OPERATING TEMPERATURE / MAX. HUMIDITY	-10°C to 50°C / 95% RH Non-Condensing
COLOUR / CASE MATERIAL	White or Red / ABS - Transparent PC
PROTECTION	IP21C - Type A - Indoor use
DIMENSIONS	100 (D) x 29 (H) mm - with Lid 37.5 (H) mm
WEIGHT	120 g - 140 g including Lid

### ORDER CODE

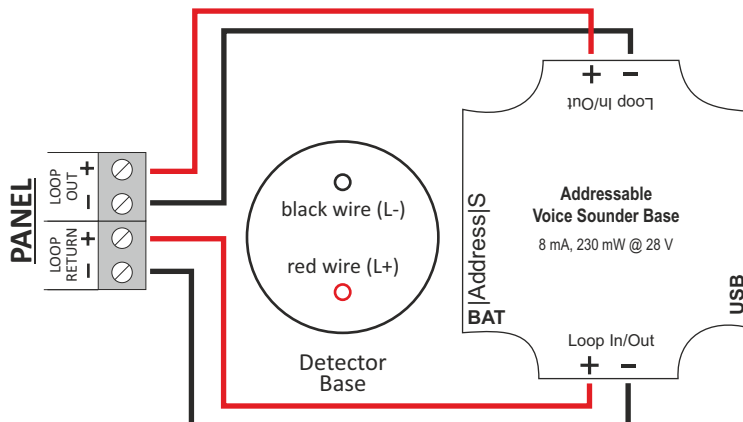
### DESCRIPTION

<b>VULCAN 2 VOX A</b>	ADDRESSABLE VOICE BASE SOUNDER
<b>VULCAN 2 VOX AB</b>	ADDRESSABLE VOICE BASE SOUNDER WITH BEACON
<b>VULCAN 2 L</b>	OPAQUE LID FOR VULCAN 2
<b>VULCAN 2 LT</b>	TRANSPARENT LID FOR VULCAN 2

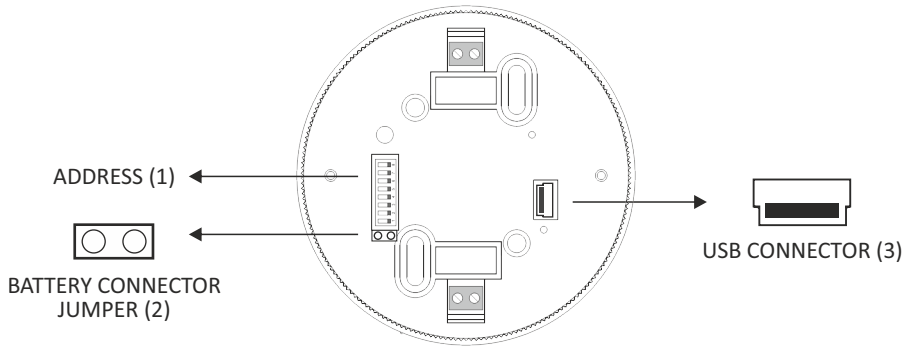
### MECHANICAL SPECIFICATION



### CONNECTIONS AND TONE/MODE SETTINGS



## USER CONNECTOR



### ATTENTION:

For the device to work the Jumper (2) must be fitted!

All audio sounds can be configured using the USB (3) plug and the specified software.

**NOTE 1:** For internal battery protection, If the device will be turned off for a long period or not supplied with power (not connected to a working panel) the Jumper (2) should always be removed!

**NOTE 2:** The pin 8 should be set to ON, otherwise it will work as shadow and will be invisible to the panel.

**NOTE:** REMOVE THE BATTERY CONNECTOR JUMPER IF THE SOUNDER IS NOT SUPPLIED WITH POWER

## BATTERY DIAGNOSTICS

**GFE panel will show the battery state on the Device Value menu.**

### Analog Value OK:

27 to 35 - Battery Voltage Value (2,7 V to 3,5 V)

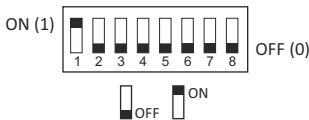
### Analog Value indicating Battery FAIL:

6 - Battery Low (Keep the device connected to charge)

7 - Battery Damaged (No Jumper, or permanently damaged)

8 - Battery Error (Under 2,5 V - Keep the device connected to charge)

## D.I.L. SWITCHES CONFIGURATION



**Switches 1-5**  
Used to configure address  
in the range 94-125

**Switch 6**  
Not used

**Switch 7**  
Beacon Stop only on Panel Reset: ON  
Beacon Stop on Alarm Silence: OFF

**Switch 8**  
Normal: ON / Shadow: OFF

**Address Switches  
Binary Weights**  
1 ON = 1  
2 ON = 2  
3 ON = 4  
4 ON = 8  
5 ON = 16

## ADDRESS SETTINGS

Sounder 1  94	Sounder 2  95	Sounder 3  96	Sounder 4  97	Sounder 5  98	Sounder 6  99	Sounder 7  100	Sounder 8  101
Sounder 9  102	Sounder 10  103	Sounder 11  104	Sounder 12  105	Sounder 13  106	Sounder 14  107	Sounder 15  108	Sounder 16  109
Sounder 17  110	Sounder 18  111	Sounder 19  112	Sounder 20  113	Sounder 21  114	Sounder 22  115	Sounder 23  116	Sounder 24  117
Sounder 25  118	Sounder 26  119	Sounder 27  120	Sounder 28  121	Sounder 29  122	Sounder 30  123	Sounder 31  124	Sounder 32  125