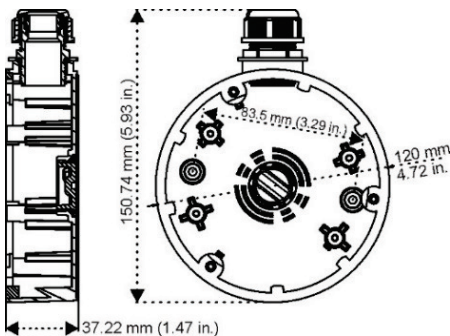


TVW-BB1 Wedge Back Box Package Contents

Description

Figure 1: Physical description

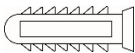
Dimensions: 120 × 37.22 mm (4.72 × 1.47 in.)



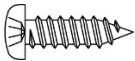
Weight: 240 g (0.53 lb.)

Accessories :

Drywall anchor: 7.5 × 24.5 mm (3 pcs.)



Screw A: 4 × 25 mm (4 pcs.)



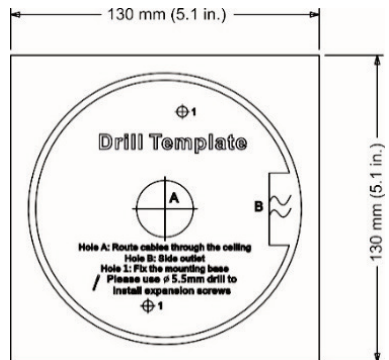
Screw B: 4 × 10 mm (4 pcs.). Used to attach the adapter plate to the back box (not included).





Note: The S6 wedge adapter plate is required to complete the installation. The wedge adapter plate is included with the camera.

A G3/4 cable adapter and plug are included, attached to the back box.

Template:



Legal and regulatory information

Copyright	© 2021 Carrier. All rights reserved. Specifications subject to change without prior notice.
Trademarks and patents	TruVision names and logos are a product brand of Aritech, a part of Carrier.
Certification	 
Contact information	EMEA: https://firesecurityproducts.com Australian/New Zealand: https://firesecurityproducts.com.au/

Product
documentation

Please consult the following web link to retrieve the electronic version of the product documentation. The manuals are available in several languages.

