



# TVP-WMB

## TruVision PTZ dome wall mount bracket

### Overview

---

The TVP-WMB is a wall mount bracket that can be used in combination with various TruVision PTZs. It can be combined with corner or pole mount accessories to facilitate various installation types.



### Details

---

- Wall mount bracket
- Compatible with corner mount and pole mount accessories
- Safety lanyard included for secure PTZ installation
- Cable management within the bracket

# TVP-WMB

## TruVision PTZ dome wall mount bracket

### Technical specifications

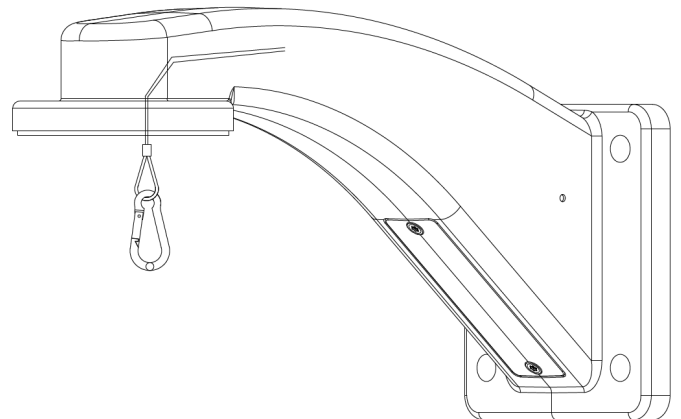
---

#### General

Bracket type	Camera
Camera support type	PTZ camera
Bracket mounting part	Mounting bracket
Mount type	Wall mount
Cable management	Yes

#### Physical

Physical dimensions	128 × 105 × 303.45 mm 5.04 × 4.13 × 11.95 in.
Net weight	945 g 2.08 lbs.



As a company of innovation, Carrier Fire & Security reserves the right to change product specifications without notice. For the latest product specifications, visit [firesecurityproducts.com](http://firesecurityproducts.com) online or contact your sales representative.

Last updated on 4 August 2022 - 13:31