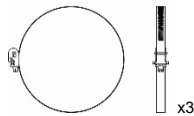
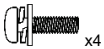
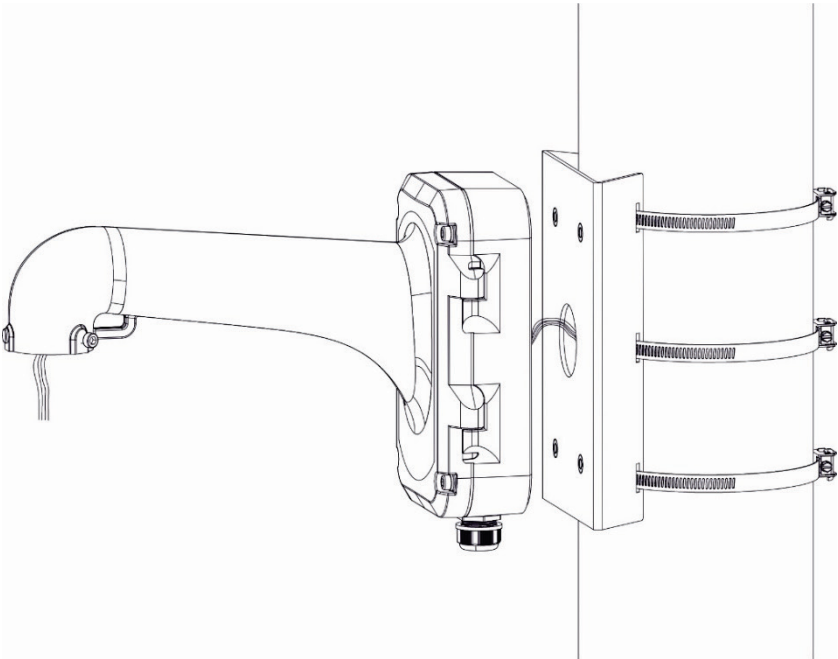


TruVision TVP-PMB-01 Pole Mount Bracket Installation Instructions



EN: Installation

Ensure that the pole is strong enough to withstand more than eight times the weight of the camera, wall mount bracket, and pole mount adapter.

DE: Installations

Stellen Sie sicher, dass die Stang stark genug für mindestens das Achtfache des Gewichts der Kamera, der Wandmontagehalterung und des Stangenmontageadapters ist.

ES: Instrucciones

Varmista, että pylväs kestää yli kahdeksan kertaa kameran, seinäasennusjalan ja pylväskiinnityssovittimen painon.

FI: Asennus

Varmista, että seinä kestää yli kahdeksan kertaa kameran, seinäjalustan ja nurkkakiinnityssovittimen painon.

FR: Installation

Assurez-vous que l'endroit où l'installation est effectuée est en mesure de supporter plus de huit fois le poids additionné de la caméra PTZ, du support de montage mural et de l'adaptateur pour surface arrondie.

IT: Installazione

Verificare che l'asta sia sufficientemente robusta e in grado di sostenere un peso maggiore di oltre otto volte il peso della telecamera, della staffa di montaggio a parete e dell'adattatore di montaggio su asta.

NL: Installatie

Zorg ervoor dat de paal sterk genoeg is om een gewicht van acht keer het gewicht van de camera, de wandmontagebeugel en de adapter voor paalmontage te kunnen dragen.

PL: Instalacja

Upewnij się, że słup jest na tyle wytrzymały, aby utrzymać obiekt o ośmiokrotnie większej wadze niż kamera, wspornik mocowania ściennego oraz adapter do mocowania słupowego.

PT: Instalação

O poste deve ser resistente o suficiente para suportar mais de oito vezes o peso da câmara, do suporte de montagem de parede e do adaptador de montagem em poste.

TR: Kurulum

Direğin kamera, duvar montaj braketi ve direğe montaj adaptörünün ağırlıklarının sekiz katından fazla ağırlığa dayanacak kadar güçlü olduğundan emin olun.

Copyright

© 2022 Carrier. All rights reserved.
Specifications subject to change without prior notice.

Trademarks and patents

TruVision names and logos are a product brand of Aritech, a part of Carrier.

Other trade names used in this document may be trademarks or registered trademarks of the manufacturers or vendors of the respective products.

Contact information

EMEA:
<https://firesecurityproducts.com>
Australian/New Zealand:
<https://firesecurityproducts.com.au/>

Product documentation

Please consult the QR codes below to retrieve the electronic version of the product documentation.

EN



DE



FR



IT



NL



PL



PT



ES

