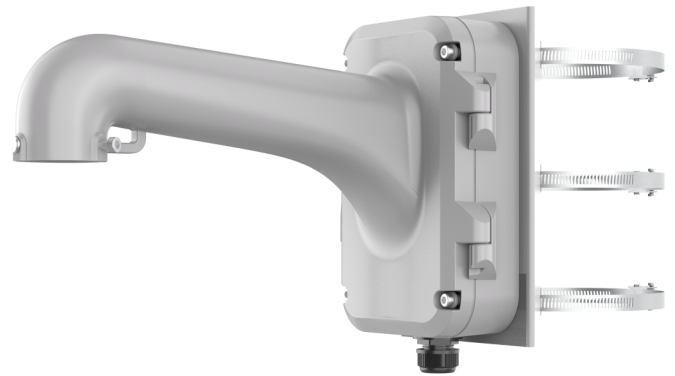


TVP-PMB-01

TruVision pole mount with connection box for P and M Series IP PTZ cameras

General

The TruVision TVP-PMB-01 pole mount bracket can be used to install M and P Series IP PTZ cameras on a pole. The integrated junction box allows for easy cable management.



Details

- Pole mount bracket with integrated junction box
- Adjustable diameter from 67 to 127 mm
- Junction box with bottom and back outlet
- Aluminium alloy and steel with surface spray treatment

TVP-PMB-01

TruVision pole mount with connection box for P and M Series IP PTZ cameras

Technical specifications

General

Bracket type	Camera
Support type	PTZ camera
Bracket mounting part	Mounting bracket
Mount type	Pole mount
Cable management	Yes
Maximum load capacity	10 kg (22 lb.) - The pole must be capable of supporting at least 3 times as much as the total weight of the PTZ camera and the mount.

Physical

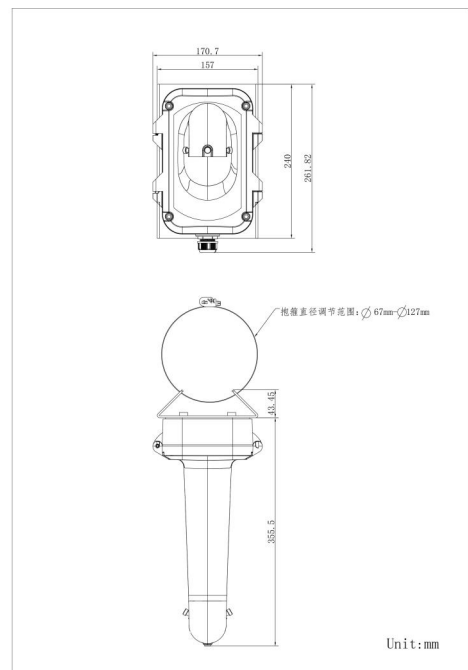
Physical dimensions	355.5 x 261.8 x 170.7 mm 14 x 10.31 x 6.72 in.
Net weight	3.8 kg 8.38 lb.
Colour	Grey (Pantone 428c)
Material	Aluminium alloy, Steel

Environmental

Environment	Indoor, Outdoor
-------------	-----------------

Compatible cameras

P Series IP PTZ cameras	TVGP-P0x-xxxx-PTZ-G
M Series IP PTZ cameras	TVGP-M0x-xxxx-PTZ-G, except TVGP-M01-0201-PTZ-G



As a company of innovation, Carrier Fire & Security reserves the right to change product specifications without notice. For the latest product specifications, visit firesecurityproducts.com online or contact your sales representative.

Last updated on 19 September 2023 - 16:49