

TVM-2413

TruVision 24" LED, VGA, HDMI, audio speaker, stereo audio IN, Full HD, 1920 x 1080

Overview

The LED TVM range of monitors is the latest advancement in TruVision monitors. Providing superior image quality through HDMI or VGA connections, these monitors are a great fit for today's demanding video surveillance market.

Whether displaying analog or IP resolutions, these monitors are designed to provide top image quality paired with industrial reliability.

These monitors are designed to perform 24/7 and are design with security applications in mind.

Capabilities

The TVM-2413 is a 24" class monitor, offering HDMI and VGA connections. The monitor has two built in speakers and is provided with VESA wall mount holes, making them easy to combine with a variety of TruVision mounting accessories. The on screen display allows for full control of images settings such as brightness, contrast and colour temperature.



Details

- 24" LED Backlight
- Full HD resolution
- 16:9 aspect ratio
- 1920 x 1080 recommended resolution
- 1,000:1 contrast ratio for crisp images
- Multiple inputs including VGA, HDMI

TVM-2413

TruVision 24" LED, VGA, HDMI, audio speaker, stereo audio IN, Full HD, 1920 x 1080

Technical specifications

General

Technology	LED
VESA compatibility	100 x 100 mm
Included accessories	Manual, Power Cord

Display

Screen size	23.6"
Aspect ratio	16:9
Contrast ratio	1000:1
Viewing angle (H/V)	178° / 178°
Response time	14 ms
Brightness	250 cd/m ² (typ)
Recommended resolution	1920 x 1080 @ 60 HZ

Interface

BNC video I/O	No
VGA video in	Yes
HDMI video in	1
PC stereo in	Yes
Audio out	No

Operations

Controls	Power, Up/Down, Left/Right, Source, OSD Menu
OSD	English, French, Spanish, German, Italian, Portuguese, Netherlands, Russian, Turkish, Polish
Remote control support	No

Electrical

Power supply type	100 to 240 VAC
Power consumption	<30 W

Physical

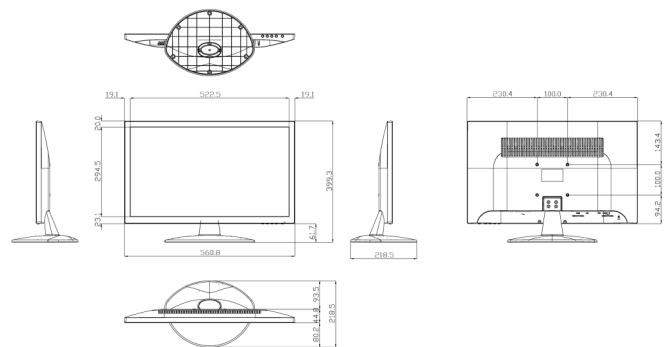
Physical dimensions	540 x 418 x 227 mm (with stand) 614 x 465 x 109 mm (box)
Net weight	3.43 kg
Shipping weight	4.44 kg
Colour	Black
Housing Type	Plastic

Environmental

Operating temperature	0 to 40°C
Storage temperature	-20 to 55°C
Relative humidity	5 to 95% noncondensing
Environment	Indoor

Regulatory

Compliance	CE, UKCA
------------	----------



As a company of innovation, Carrier Fire & Security reserves the right to change product specifications without notice. For the latest product specifications, visit firesecurityproducts.com online or contact your sales representative.

Last updated on 30 July 2024 - 16:43