

TVGP-M01-0202-BUL-G

TruVision 2MP, H.265+, Smart IP Bullet Camera, 60 m IR, 2.8 to 12 mm lens, grey

Overview

The TruVision M-series IP bullet cameras leverages the latest H.265+ video compression technology to bring state-of-the-art, high-definition pictures to the mass video surveillance market. With video resolutions from 2 Megapixel to 4K, these IP cameras represent a flexible video surveillance device to meet any need. Equipped with advanced technology and signal processing capability, they effectively capture video under challenging conditions.

The cameras go above and beyond standard motion detection with enhanced alarm capabilities, including cross line detection, intrusion detection and face detection features. With its smart person/vehicle feature the camera can ignore irrelevant motion or VCA events which will automatically lead to less storage consumption and faster retrieval of relevant video events.

TruVision cameras utilize H.265+ and/or H.264 compression technology with triple-streaming capability, making it easy to manage the camera's bandwidth usage. Recording to a local MicroSD card (not included) protects data in the event of network disruptions.



Details

- Maximum resolution: 2MP (1920 x 1080)
- Motorized zoom lens 2.8 to 12 mm
- Person/vehicle classification
- Video intelligence: intrusion detection, cross line detection, face detection
- Up to 60 m IR illumination
- H.265+ compression
- ONVIF Profile G, S, T open standards

TVGP-M01-0202-BUL-G

TruVision 2MP, H.265+, Smart IP Bullet Camera, 60 m IR, 2.8 to 12 mm lens, grey

Technical specifications

General

| | |
|------------------------|--|
| Technology | IP |
| Video standard | NTSC, PAL |
| Image settings | Hallway View, Mirror, ROI (Region Of Interest) |
| Privacy masking | Yes |
| Software compatibility | Milestone XProtect, OnGuard, TruVision Navigator, TVRmobile, UltraView |

Camera

| | |
|-----------------|--------------------|
| Sensor size | 1/2.8" |
| Max. resolution | 2 MP |
| Sensor scan | Progressive |
| Sensor type | CMOS |
| Shutter time | 1/3 to 1/100,000 s |

Lighting performance

| | |
|-------------------------|---|
| WDR type | True WDR |
| WDR | 120 dB |
| Digital noise reduction | 3D DNR |
| Day/night | True Day/Night |
| Motorized IR cut filter | Yes |
| Color sensitivity | Color: 0.005 Lux @ (F1.6, AGC ON), 0 Lux with IR on |
| Infrared (IR) | Yes |
| IR range | Up to 60 m |
| IR wavelength | 850nm |

Encoding

| | |
|--------------------------|---|
| Video streams | 3 |
| Main stream compression | H.264, H.265, H.265+ |
| Sub stream compression | H.264, H.265, MJPEG |
| Third stream compression | H.264, H.265 |
| Video bit rate | 32 to 8 Mbps |
| Main stream resolutions | 1280 x 720 (XVGA), 1920 x 1080 (1080p) |
| Sub stream resolutions | 640 x 360 (nHD), 640 x 480 (VGA) |
| Third stream resolutions | 1280 x 720 (XVGA), 640 x 360 (nHD), 640 x 480 (VGA) |
| Max. resolution @ fps | 1920 x 1080 @ 25/30 fps |

Lens

| | |
|----------------|--|
| Lens type | Varifocal motorized |
| Focal length | 2.8 to 12 mm (Horizontal FoV 106.6° to 31.7°, vertical FoV 54.7° to 17.7°, diagonal FoV 130.3° to 36.4°) |
| f-stop | F1.6 |
| Auto iris | No |
| Auto focus | Yes |
| Motorized zoom | Yes |

Network

| | |
|-----------------------------|--|
| Network interface | RJ-45 10/100 Mbps self-adaptive Ethernet interface |
| Integration | ONVIF Profile G, ONVIF Profile S, ONVIF Profile T |
| Supported network protocols | 802.1x, Bonjour, DDNS, DHCP, DNS, FTP, HTTP, HTTPS, ICMP, IGMP, IPv4, IPv6, NTP, PPPoE, QoS, RTCP, RTP, RTSP, SMTP, SNMP, TCP/IP, UPnP |

Audio

| | |
|-------------------|---|
| Audio compression | G.711alaw, G.711ulaw, G.722.1, G.726, MP2L2, MP3 |
| Audio in | 1 input (line in), two-core terminal block, max. input amplitude: 3.3 Vpp, input impedance: 4.7 KΩ |
| Audio out | 1 output (line out), two-core terminal block, max. output amplitude: 3.3 Vpp, output impedance: 100 Ω |

Alarm I/O

| | |
|----------------------|-------------------------------|
| Alarm inputs | 1 |
| Alarm outputs | 1 output (max. 12 VDC, 30 mA) |
| Alarm I/O connection | Terminal block |

Storage

| | |
|-----------------------|---------------------------------------|
| Local storage type | Built-in Micro SD/SDHC/SDXC card slot |
| Max. SD card capacity | 256 GB |

Video intelligence

| | |
|----------------------|--|
| Alarm trigger | HDD error, HDD full, Invalid login, IP address conflict, Motion detection, Network disconnected, Video tampering |
| ROI | Support 1 fixed region for main stream and sub-stream |
| Smart event | Advanced motion detection, Face detection, Intrusion detection, Line crossing detection, Motion detection |
| Intelligence options | Person/vehicle detection on motion, line crossing and intrusion detection |

Electrical

| | |
|-------------------|---|
| Operating voltage | 12 VDC, 1.08 A, PoE: (802.3at, 42.5 to 57 V), 0.36 to 0.27 A |
| Power consumption | max. 15 W |

Physical

| | |
|---------------------|--|
| Physical dimensions | 308.5 × 97.9 × 93 mm 12.2 × 3.9 × 3.7 in. |
| Net weight | 1390 g 3.1 lb. |
| Shipping weight | 1961 g 4.3 lb. |
| Colour | Grey |
| Form Factor | Bullet |

TVGP-M01-0202-BUL-G

TruVision 2MP, H.265+, Smart IP Bullet Camera, 60 m IR, 2.8 to 12 mm lens, grey

Environmental

| | |
|-----------------------|-------------------------------|
| Vandal proof | Yes |
| Impact rating | IK10 |
| Environment | Outdoor |
| Operating temperature | -30 to +60°C -22 to +140°F |
| Relative humidity | <95% noncondensing |
| IP rating | IP67 |

Regulatory

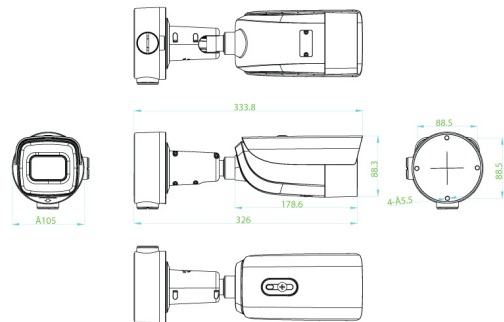
| | |
|------------|--------------------------------|
| Compliance | CE, FCC, REACH, RoHS, UL, WEEE |
|------------|--------------------------------|

Compatible Accessories

| | |
|----------|----------------------|
| Back Box | Included with camera |
|----------|----------------------|

Compatible products

| Category | Reference | Description |
|-------------------|--------------|---|
| Brackets & Mounts | TVD-M-CMA | TruVision Corner Mount Adaptor for TVD-SNB (or TVC-IP Bullet Cameras) |
| Brackets & Mounts | TVD-M-PMA-SS | TruVision Pole Mount Adaptor, stainless steel |



As a company of innovation, Carrier Fire & Security reserves the right to change product specifications without notice. For the latest product specifications, visit firesecurityproducts.com online or contact your sales representative.

Last updated on 8 October 2024 - 11:33