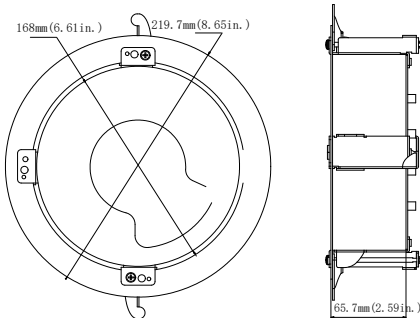


TruVision TVD-VFM2 Dome Flush Mount Bracket Installation Instructions

Description

Figure 1: Physical description

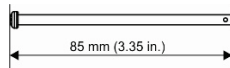
Dimensions: 219.7 × 65.7 mm (8.65 × 2.59 in.)



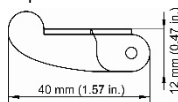
Weight: 700 g (0.66 lb.)

Supported cameras: TVD-5604, TVD-5605, TVD-5606

Bolt, clamp and clip Bolt: 2 pcs



Clamp: 2 pcs



Clip: 2 pcs

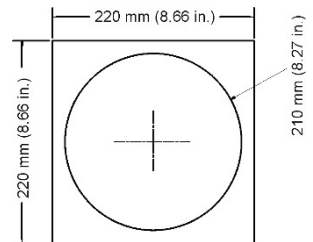


Screw A

Screws PM4 × 13 mm (4 pcs)
(used to attach the camera to the flush mount bracket)



Template



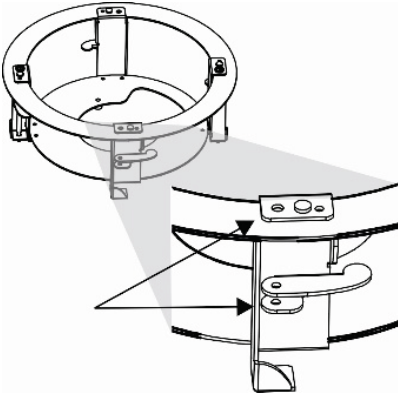
Installation

Note: The Dome Flush Mount Bracket is designed to be used when installing a dome camera in to a solid surface. It is not recommended to be used with drop down tile ceilings. Those tile ceilings are designed to have the ceiling tiles drop onto a metal framework. They are not structurally designed to accommodate the installation of external components.

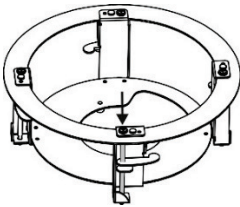
To attach the clamps to the flush mount bracket:

Note: The bracket comes with two bolts and clamps pre-installed. However, it is strongly recommended to use the other two bolts and clamps shipped with the bracket to ensure a more secure installation to the mounting surface.

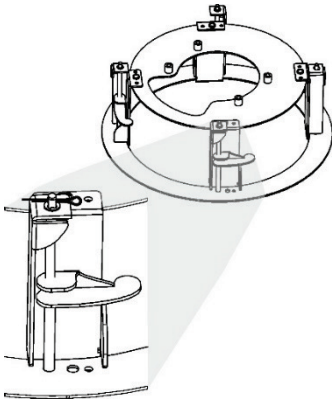
1. Align the hole of the clamp between the two holes of the bracket leg.



2. Insert the bolt through the clamp and the holes in the flush mount frame.

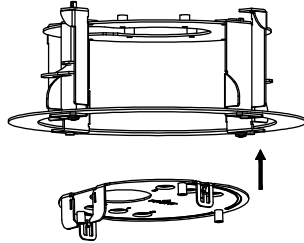


3. Use the enclosed clip to fasten the bolt securely to the flush mount.

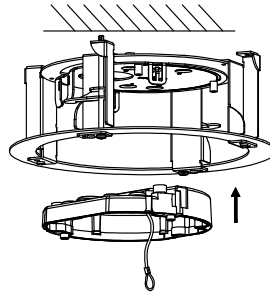


To attach the dome camera to the flush mount bracket:

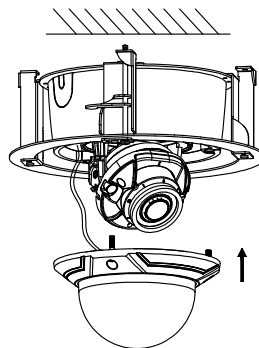
1. Using the template, cut a hole for the flush mount in the mounting surface.
2. Attach the adapter plate to the flush mount using screw A.



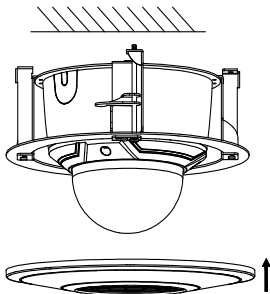
3. Attach the back box to the adapter plate



4. Attach the dome camera to the back box and reinstall the bubble assembly to the dome.



5. Install the trim ring to the flush mount.



Legal and regulatory information

Copyright © 2021 Carrier. All rights reserved. Specifications subject to change without prior notice.

This document may not be copied in whole or in part or otherwise reproduced without prior written consent from Carrier, except where specifically permitted under US and international copyright law.

Trademarks and patents TruVision names and logos are a product brand of Aritech, a part of Carrier.

Other trade names used in this document may be trademarks or registered trademarks of the manufacturers or vendors of the respective products.

Certification



Product warnings and disclaimers

THESE PRODUCTS ARE INTENDED FOR SALE TO AND INSTALLATION BY QUALIFIED PROFESSIONALS. UTC FIRE & SECURITY CANNOT PROVIDE ANY ASSURANCE THAT ANY PERSON OR ENTITY BUYING ITS PRODUCTS, INCLUDING ANY "AUTHORIZED DEALER" OR "AUTHORIZED RESELLER", IS PROPERLY TRAINED OR EXPERIENCED TO CORRECTLY INSTALL FIRE AND SECURITY RELATED PRODUCTS.

For more information on warranty disclaimers and product safety information, please check www.firesecurityproducts.com/policy/product-warning/ or scan the following code:



Contact information

EMEA:
<https://firesecurityproducts.com>
 Australian/New Zealand:
<https://firesecurityproducts.com.au/>

Product documentation

Please consult the following web link to retrieve the electronic version of the product documentation. The manuals are available in several languages.



