

TVD-VFM2

TruVision Flush Mount, Motorized VF Dome (for S6 w/o cable harness)

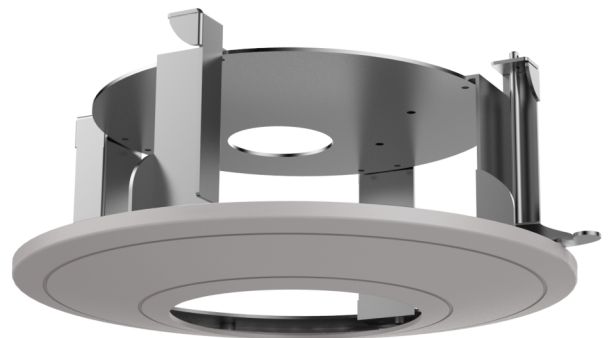
Overview

TruVision camera mounts are part of a modular system that allows users to mount TruVision cameras in a variety of positions to meet the needs of each application. TruVision camera mounts are designed for use with fixed bullet, wedge and mini dome cameras and feature rugged construction suitable for indoor and outdoor environments.

TVD-VFM2 flush mount is for indoor use only.

Used together with following S6 Domes:

TVD-5604
TVD-5605
TVD-5606



Details

- Suitable for the TruVision S6 Motorized VF Dome TruVision
- Flush Mount
- Metal Construction with plastic trim

TVD-VFM2

TruVision Flush Mount, Motorized VF Dome (for S6 w/o cable harness)

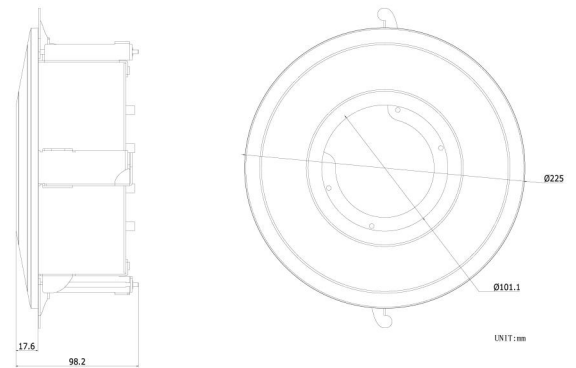
Technical specifications

General

Bracket type	Camera
Support type	TruVision mini domes
Bracket mounting part	Mounting bracket
Mount type	Flush mount
Cable management	Yes

Physical

Physical dimensions	207 × 98.2 mm
Net weight	443 g
Colour	Grey (Pantone 428c)
Material	Steel



As a company of innovation, Carrier Fire & Security reserves the right to change product specifications without notice. For the latest product specifications, visit firesecurityproducts.com online or contact your sales representative.

Last updated on 2 September 2024 - 10:21