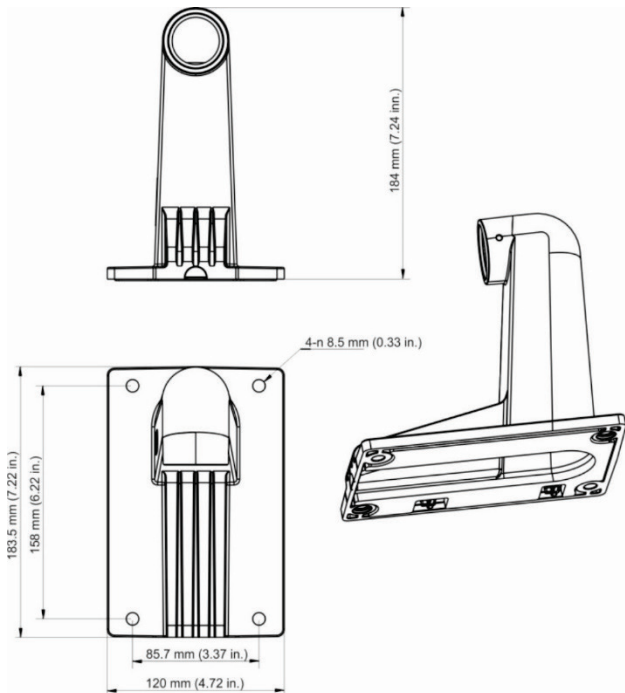


TVD-CBW Cup Base Wall Mount Installation Instructions

Specifications

Dimensions: 183.5 × 120 × 184 mm (7.22 × 4.72 × 7.24 in.)

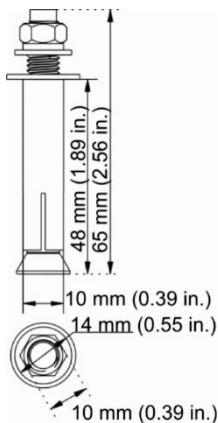


Weight: 689 g (1.52 lb.)

Accessories:

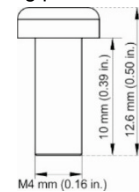
Expansion anchors: 4 pcs

Used to install the TVD-CBW wall mount to the mounting surface.



Screw A: 4 pcs

Used to install the mounting plate to the TVD-CBW wall mount.



Supported cup bases and back boxes

The cup base wall mount can be used with following TruVision accessories:

- TVW-AWB-1
- TVW-DVM
- TVD-CB2
- TVD-CB3
- TVD-CB5A
- TVD-CB6
- TVD-CB7
- TVF-CBM

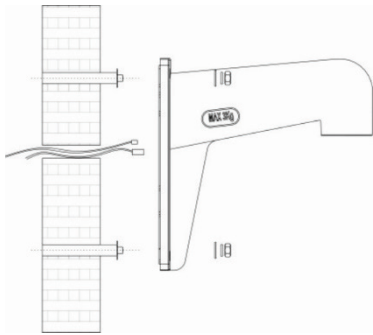
Installation

For detailed instructions, refer to the Installation Guide for the camera that you are installing. The following requirements are mandatory precautions.

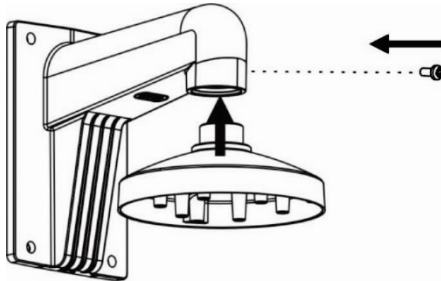
- The wall must be thick enough to install the expansion anchors.
- Ensure that the wall is strong enough to withstand more than eight times the weight of the camera and wall mount.

To attach a camera to the wall mount (TVD-CBW):

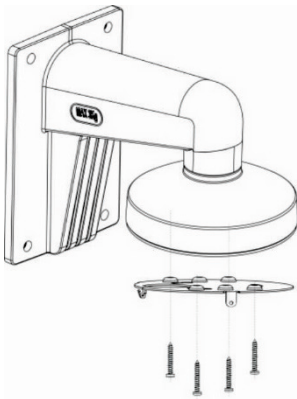
1. Choose the appropriate location on the mounting surface. Use the wall mount base to mark the holes for the expansion anchors and to also provide access for the cable harness prior to installing with the mount.
2. Drill holes in the mounting surface and install the four expansion anchors.
3. Route the cables through the wall mount.
4. Secure the wall mount to the mounting surface using the hardware provided with the expansion anchor.



5. Install the cup base on the wall mount. Secure the cup base with a locking screw.



6. Place the adapter plate on the cup base wall mount. Prior to installing the adapter plate, make sure that when the camera is mounted to the adapter plate, it will be in the correct orientation. Using screw A, secure the adapter plate to the wall mount.



7. Route the camera cables through the adapter plate. If you are not using all the features/cables, you may want to tuck them behind the adapter plate to keep them out of the way so they do not interfere when installing the camera on the wall mount.
8. To complete camera installation, refer to the Installation Instructions for the specific cup base and camera.

Legal and regulatory information

Copyright	<p>© 2021 Carrier. All rights reserved. Specifications subject to change without prior notice.</p> <p>This document may not be copied in whole or in part or otherwise reproduced without prior written consent from Carrier, except where specifically permitted under US and international copyright law.</p>
Trademarks and patents	<p>TruVision names and logos are a product brand of Aritech, a part of Carrier.</p> <p>Other trade names used in this document may be trademarks or registered trademarks of the manufacturers or vendors of the respective products.</p>

Certification



Contact information
 EMEA: <https://firesecurityproducts.com>
 Australian/New Zealand:
<https://firesecurityproducts.com.au/>

Product documentation
 Please consult the following web link to retrieve the electronic version of the product documentation. The manuals are available in several languages.

