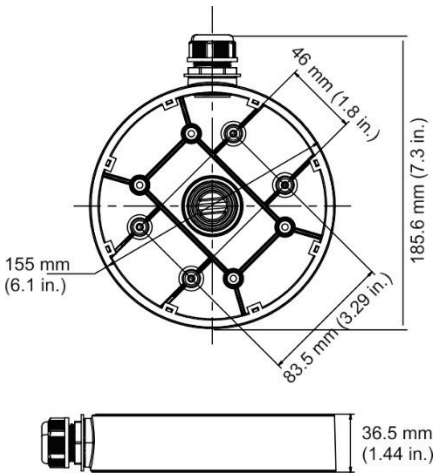


TruVision TVD-BB4 Dome Back Box Installation Instructions

Description

Weight: 266 g (0.59 lb.)

Dimensions:

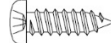


Accessories:

Drywall anchor 7.5 x 24.5 mm (4 pcs)



Screw A 4 x 25 mm (4 pcs)



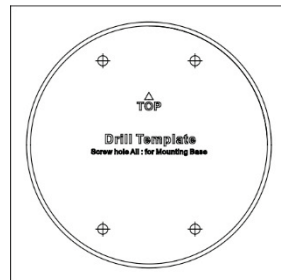
Screw B 4 x 10 mm (5 pcs)



Threaded knockout plug



Template:



Legal and regulatory information

Copyright © 2021 Carrier. All rights reserved.
Specifications subject to change without prior notice.
This document may not be copied in whole or in part or otherwise reproduced without prior written consent from Carrier, except where specifically permitted under US and international copyright law.

Trademarks and patents TruVision names and logos are a product brand of Aritech, a part of Carrier. Other trade names used in this document may be trademarks or registered trademarks of the manufacturers or vendors of the respective products.

Certification 

Contact information EMEA: <https://firesecurityproducts.com>
Australian/New Zealand: <https://firesecurityproducts.com.au/>

Product documentation Please consult the following web link to retrieve the electronic version of the product documentation. The manuals are available in several languages.

