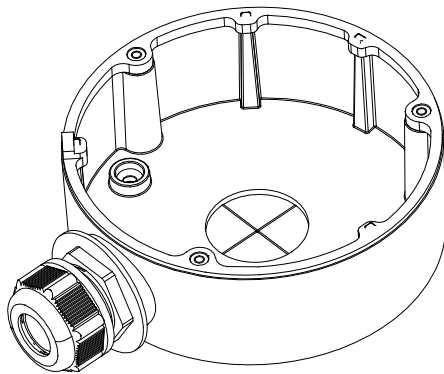


TVD-BB1/TVD-BB1-W Back Box Installation Guide

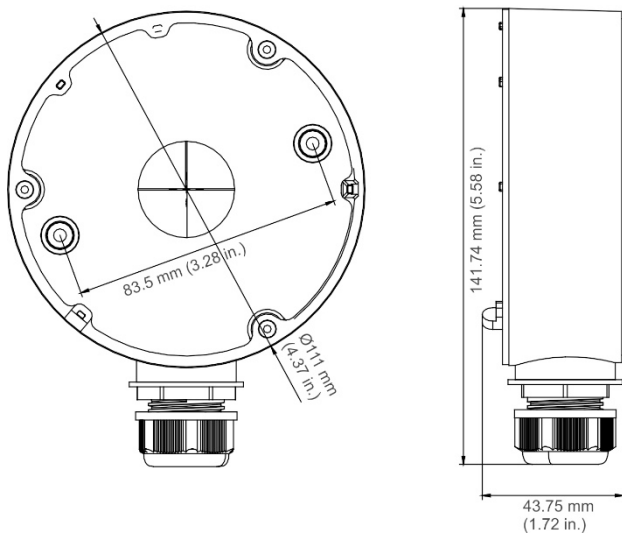
Description

Weight: 150 g (0.33 lb.)

Description:

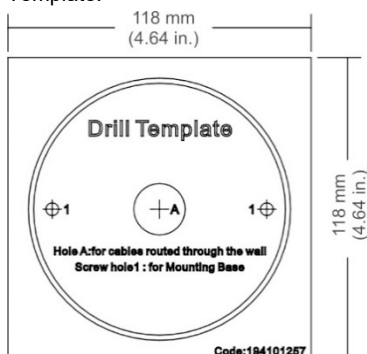


Dimensions:

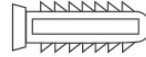


Accessories:

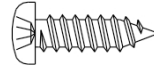
Template:



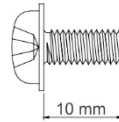
Drywall anchor Ø7.5 x 24.5 mm (3 pcs)



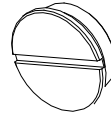
Screw A Ø4 x 25 mm (3 pcs)



Screw B Ø3 x 10 mm (3 pcs)



Threaded knockout plug



Supported cameras

The back box can be used with the following dome cameras:

- **TVD-BB1 back box (for gray cameras):**

- **M Series IP cameras:**

- TVGP-M01-0201-DOM-G, TVGP-M01-0401-DOM-G, TVGP-M01-0801-DOM-G

- **Series 6 fixed lens dome IP cameras:**

- TVD-5601, TVD-5602, TVD-5603

- **Series 5 fixed lens dome IP cameras:**

- TVD-5501, TVD-5502, TVD-5503

- **Series 3 fixed lens dome IP cameras:**

- TVD-5301, TVD-5302

- **HD-TVI cameras:**

- TVD-6102

- **TVD-BB1-W back box (for white cameras):**

- **M Series IP cameras:**

- TVGP-M01-0201-DOM-W, TVGP-M01-0401-DOM-W, TVGP-M01-0801-DOM-W

Legal information

Copyright	© 2022 Carrier. All rights reserved. Specifications subject to change without prior notice.
Trademarks and patents	TruVision names and logos are a product brand of Aritech, a part of Carrier. Other trade names used in this document may be trademarks or registered trademarks of the manufacturers or vendors of the respective products.

Certification	
---------------	---

Product warnings and disclaimers	<p>THESE PRODUCTS ARE INTENDED FOR SALE TO AND INSTALLATION BY QUALIFIED PROFESSIONALS. CARRIER FIRE & SECURITY CANNOT PROVIDE ANY ASSURANCE THAT ANY PERSON OR ENTITY BUYING ITS PRODUCTS, INCLUDING ANY "AUTHORIZED DEALER" OR "AUTHORIZED RESELLER", IS PROPERLY TRAINED OR EXPERIENCED TO CORRECTLY INSTALL FIRE AND SECURITY RELATED PRODUCTS.</p> <p>For more information on warranty disclaimers and product safety information, please check www.firesecurityproducts.com/policy/product-warning/ or scan the following code:</p>
----------------------------------	---



Contact information	EMEA: https://firesecurityproducts.com Australian/New Zealand: https://firesecurityproducts.com.au/
---------------------	---

Product documentation	Please consult the following web link to retrieve the electronic version of the product documentation. The manuals are available in several languages.
-----------------------	--

