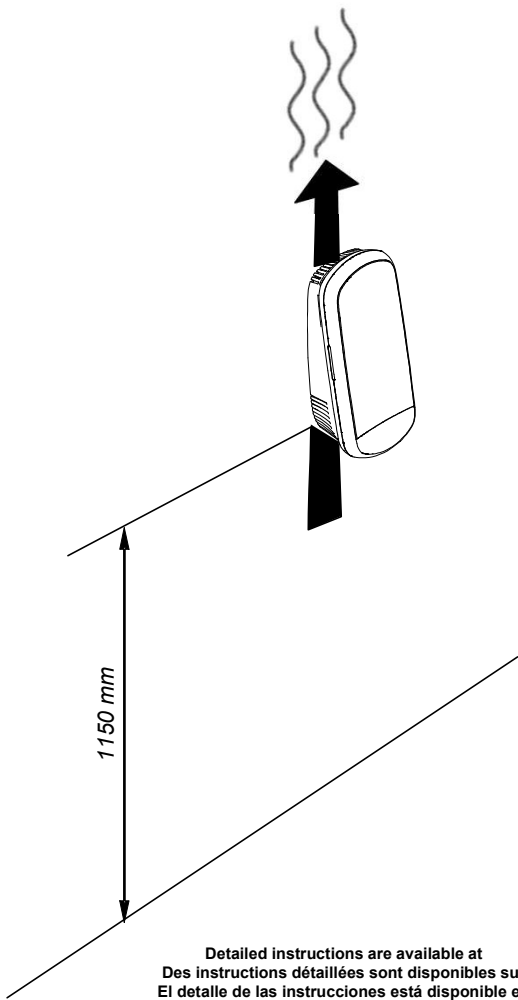


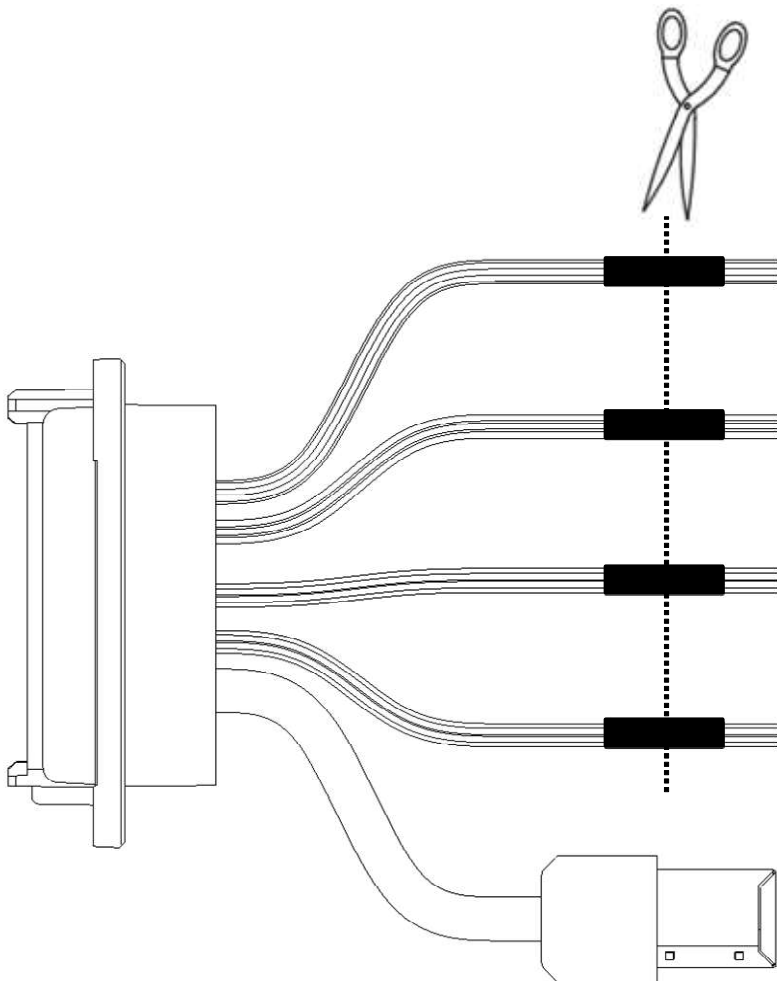
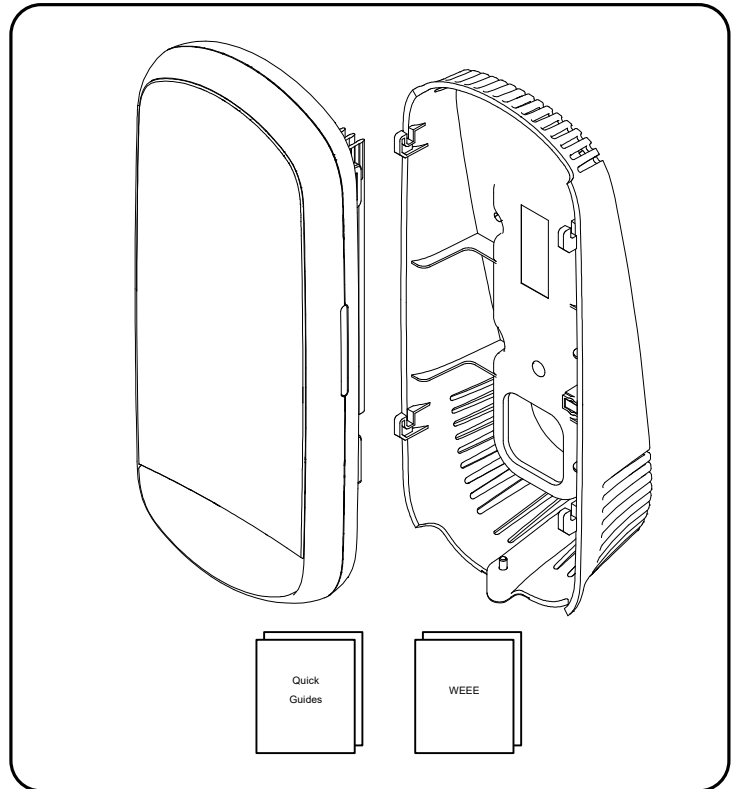
VisionPass

Quick Installation Guide



Detailed instructions are available at
 Des instructions détaillées sont disponibles sur
 El detalle de las instrucciones está disponible en
www.biometric-terminals.com

Head office :
 2, place Samuel de Champlain - 92400 Courbevoie



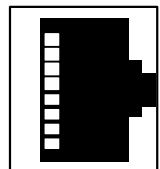
13	RLY_NC	Orange / White
14	RLY_NO	Yellow / White
12	RLY_COM	Grey / White
5	SWITCH_PIN1	Light Blue
6	SWITCH_PIN2	Pink
1-3	Power +12V	Red
2-4	Power GND	Black

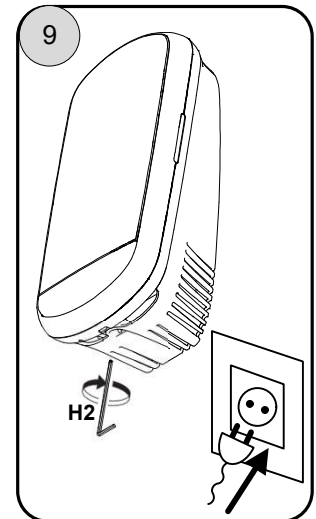
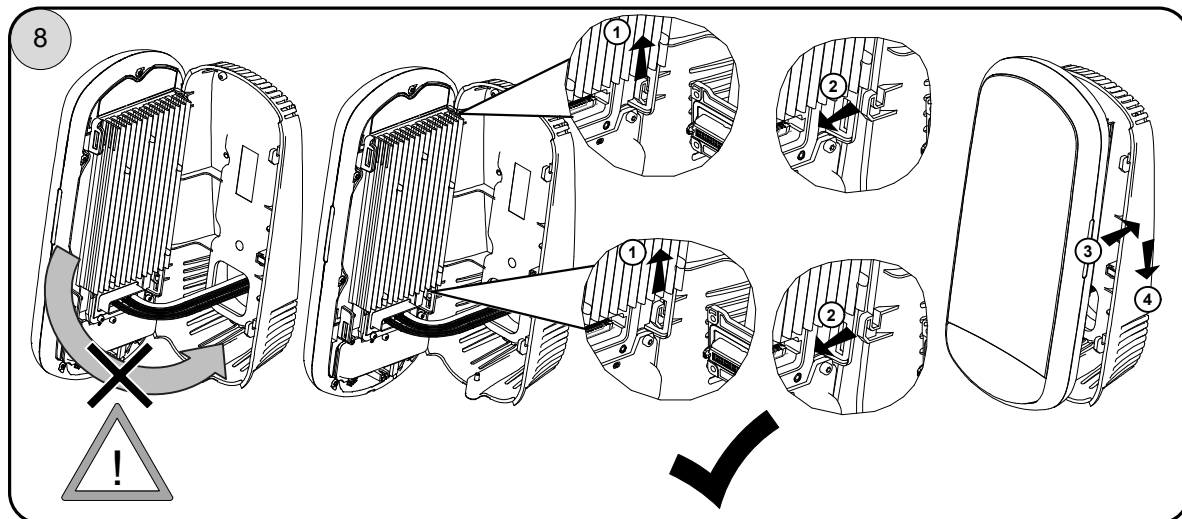
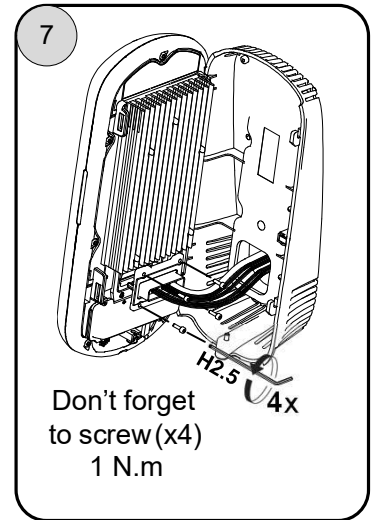
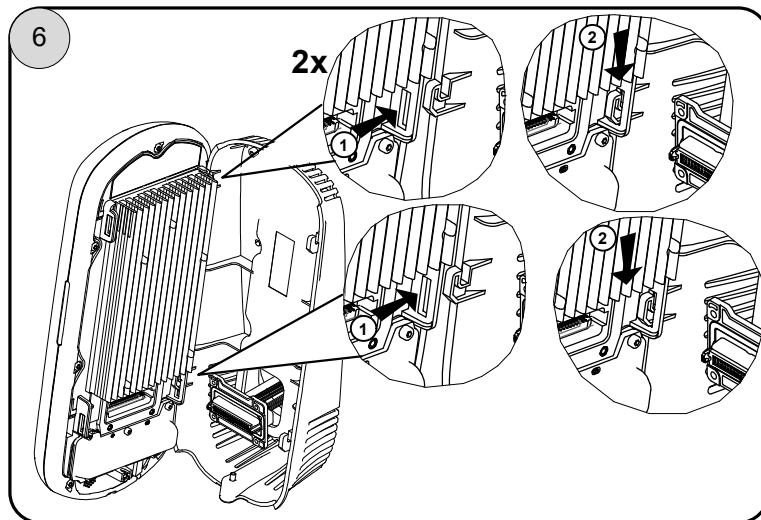
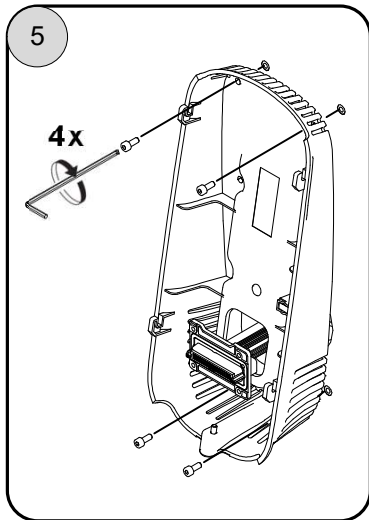
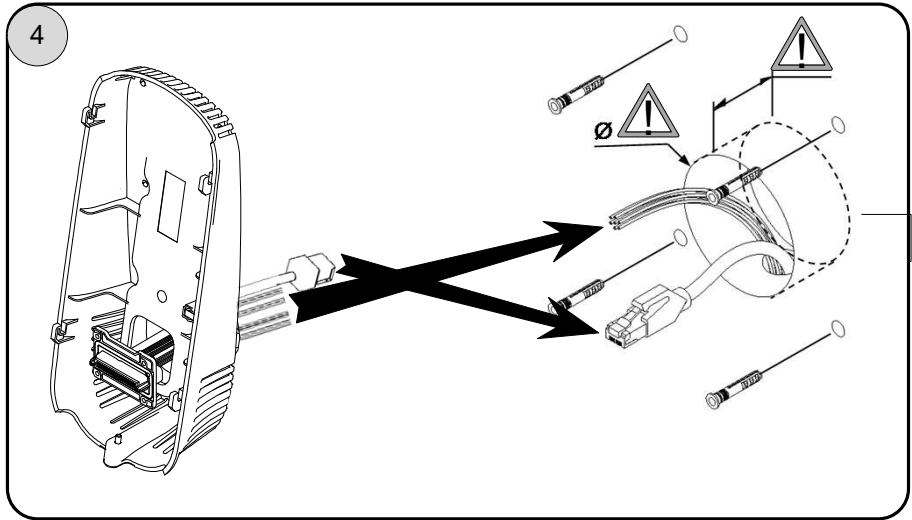
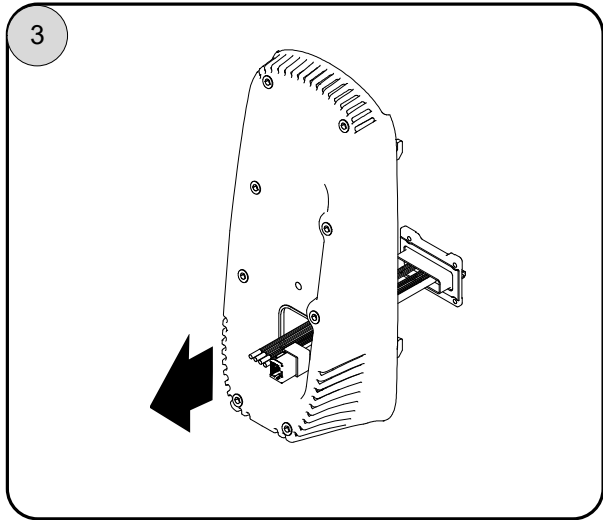
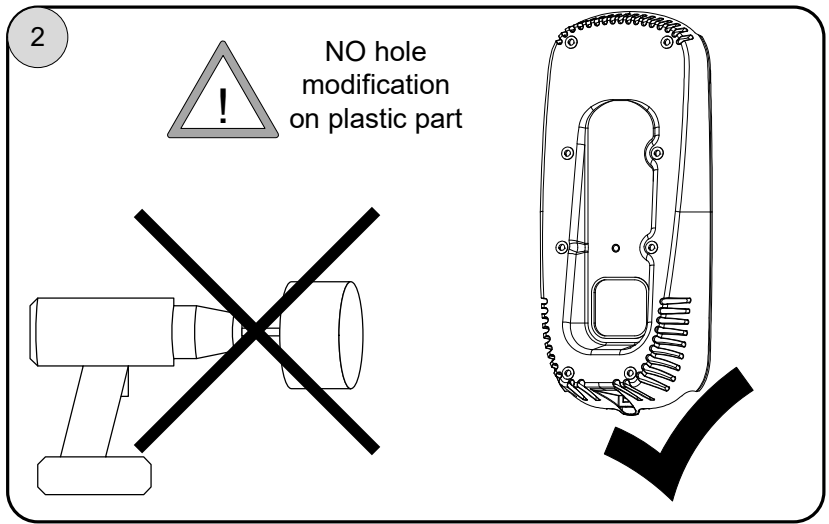
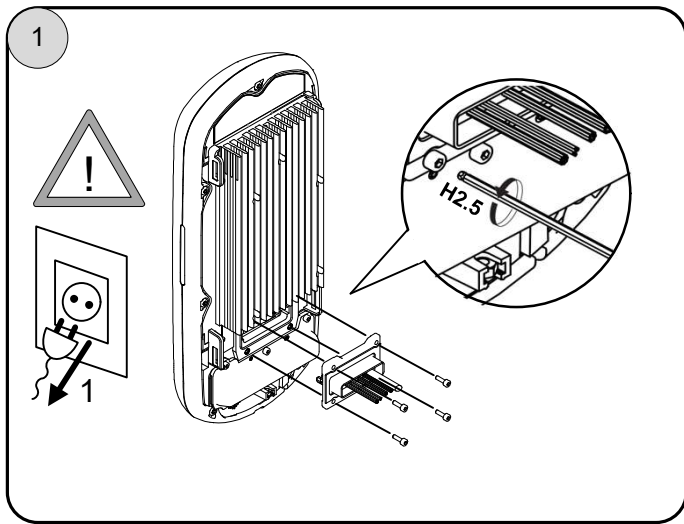
7	RS422_RX_A	Blue / Black
8	RS422_TX_Z/RS485_B	Green / White
9	RS422_RX_B	Blue / White
10	RS422_TX_Y/RS485_A	Green / Black
11	RS422/485_GND	Black / Red

19	GPI2	Orange / Black
20	GPO2	Yellow / Black
17	GPI1	Orange / Red
18	GPO1	Yellow / Red
15	GPI0	Orange
16	GPO0	Yellow
22	GPIO_GND	Black / Red

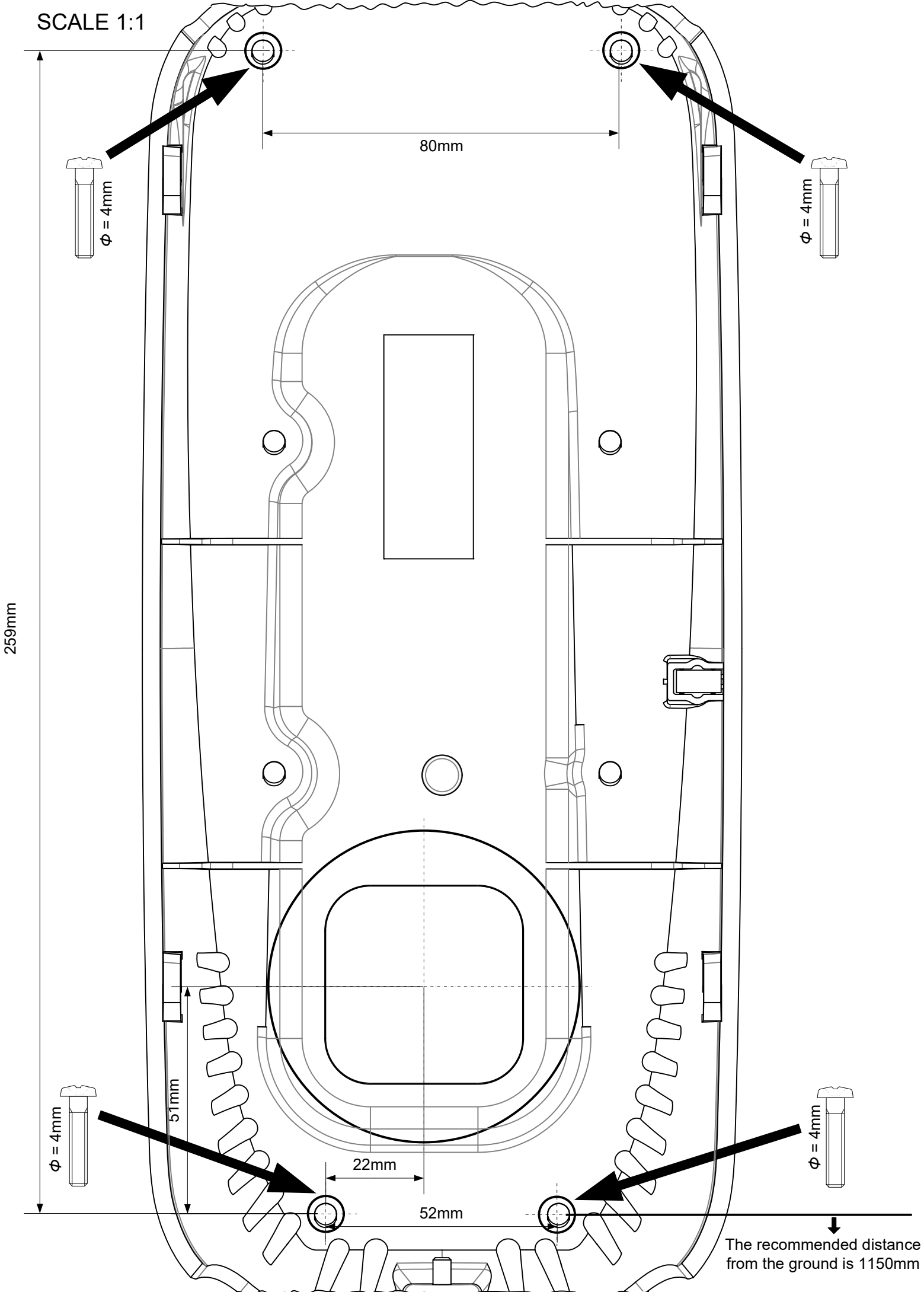
25	WIEG_OUT_LED1	Blue
28	WIEG_OUT_LED2	Blue / Red
23	WIEG_IN_D1	White / Red
24	WIEG_OUT_D0	Green
26	WIEG_OUT_D1	White
21	WIEG_IN_D0	Green / Red
27	WIEGAND_GND	Black / Red

36	BI_DA+	Orange / White	1
34	BI_DA-	Orange	2
40	BI_DB+	Green / White	3
38	BI_DB-	Green	6
35	BI_DC+	Blue	4
33	BI_DC-	Blue / White	5
39	BI_DD+	Brown / White	7
37	BI_DD-	Brown	8
31	BI_GND	Drain wire (no color)	Shell





SCALE 1:1



259mm

80mm

$\phi = 4\text{mm}$

$\phi = 4\text{mm}$

$\phi = 4\text{mm}$

$\phi = 4\text{mm}$

51mm

22mm

52mm

The recommended distance from the ground is 1150mm