

S30-2SLC-10

SFP-Port Gigabit Mini GBIC Transceiver Module (1310nm) - 10Km - SM

Overview

The UTC Fire & Security transceiver module is specifically designed to accommodate high-performance optical fiber, including integrated duplex data link over single mode. Compliant with the SFP Multisource Agreement (MSA), these transceiver modules feature hot-plug capability for easy installation without interrupting host equipment operating online. The SFP GBIC transceiver module can install into UTC Fire & Security switch products with 100Base-FX or 1000Base-SX/LX SFP interface.



Details

- SFP multi-source agreement compliant
- Data rate 1.25 Gbps
- Class 1 laser safety standard IEC 60825 compliant
- LC duplex receptacle
- Low power dissipation
- Plug-and-play capability for easy installation
- Hot Pluggable
- 0°C to +50°C operation temperature
- TTL signal detect indicator
- Single power supply 3.3V
- Comply with the IEEE 802.3ab

S30-2SLC-10

SFP-Port Gigabit Mini GBIC Transceiver Module (1310nm) - 10Km - SM

Technical specifications

General

Category	SFP
Port type	Single Mode
No. of fibers	2
Port speed	Gigabit
Wavelength	1310 nm
Maximum distance	10 km
Number of Fibers	2
Fiber Type	Single-Mode
Max. Distance	10km
TX \ RX Wavelength	1310nm \ 1310nm
TX Wavelength	1310nm
Datarate	1.25Gbps
PHY Type	1000Base-LX
Power (dBm)	-9.5 ~ -3
RX Sen. (dBm)	-20
Power Budget	105

Electrical

Input Voltage	3.3V DC
AS/NZS CISPR 22	2006

Environmental

Operating temperature	0 to +50°C
Storage temperature	-40°C to +85°C
Relative humidity	5% to 95% (noncondensing)

Standards & regulations

Standards Compliance	IEEE 802.3ab Fast Ethernet Standard
Standards Compliance	Class 1 laser product complies with EN 60825-1

Electrical and Mechanical

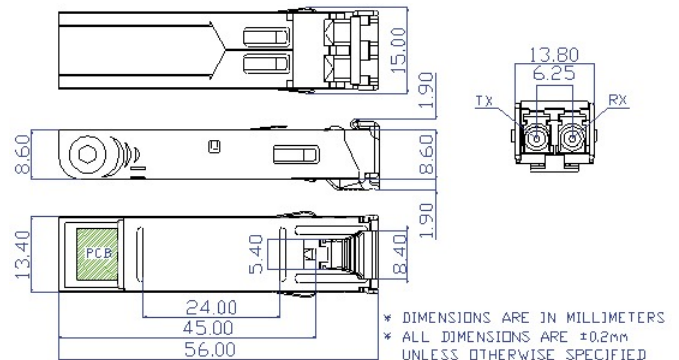
Input Voltage	3.3V DC
Dimensions (W x D x H)	2.20 x 0.59 x 0.49 in. (59 x 15 x 12.4 mm)
Weight (ounces, grams)	0.6 oz, 18g
Storage Temperature	-40 ~ 85° C
Reliability	>50,000 hrs @ 25° C

Transmitter Electro-Optical Interface

EMI	EN 55022 CLASS A:2006+A1 : 2007 / EN61000-3-2:2006 / EN61000-3-3: 1995+A1:2001+A2:2005
Optical Output Power	Min. : -9.5dBm, Type : -, Max. : -3dBm
Power Budget	10.5
Receiver	-20dBm

Reliability

MTBF	> 50,000 hrs @ 25°C
------	---------------------



As a company of innovation, UTC Fire & Security reserves the right to change product specifications without notice. For the latest product specifications, visit UTC Fire & Security online or contact your sales representative.

Last updated on 15 May 2020 - 17:17



Climate | Controls | Security