

# Satel®

---

**DETECTOR BASE**

# **DB-100**

**INDUSTRIAL SPACER**

# **PDB-100**

**CE**



---

db-100\_en 06/15

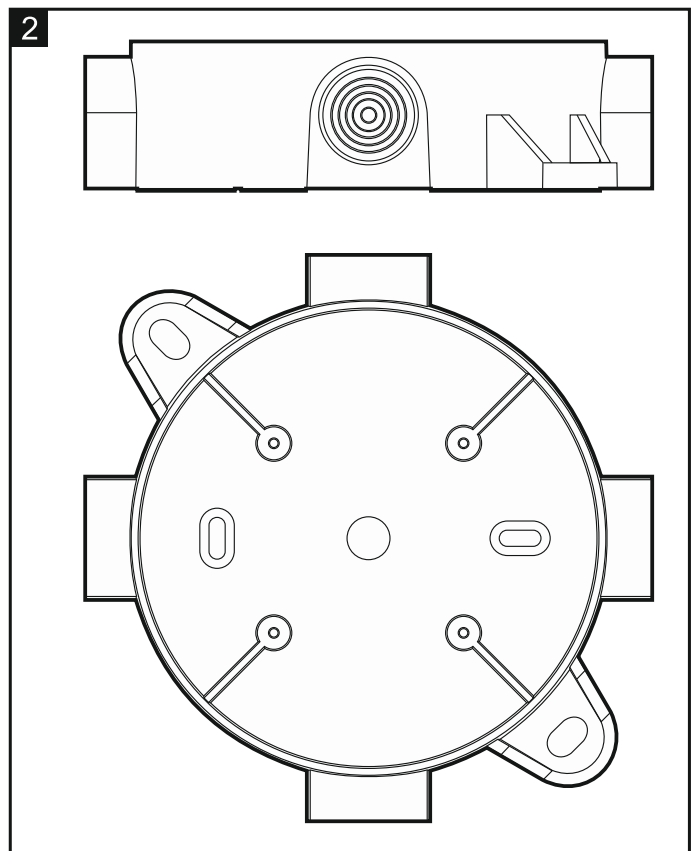
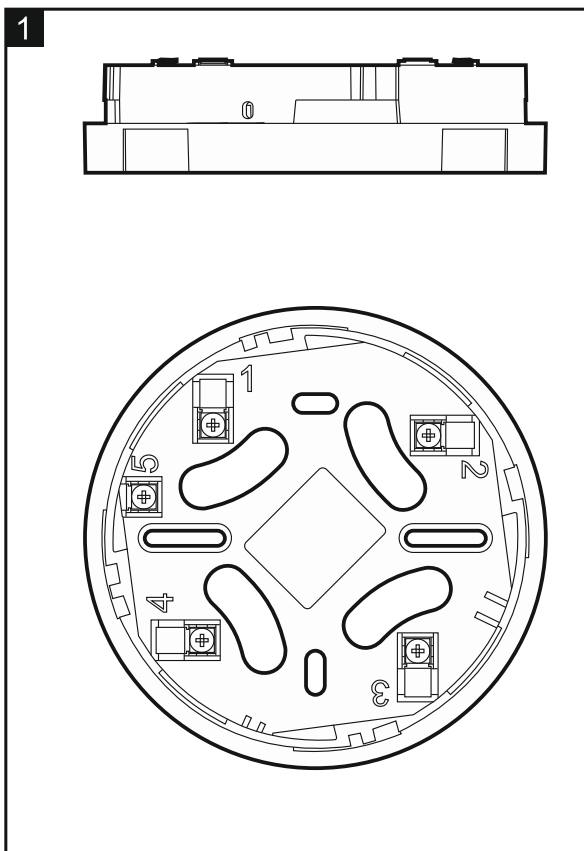
SATEL sp. z o.o.  
ul. Budowlanych 66  
80-298 Gdańsk  
POLAND  
tel. + 48 58 320 94 00  
[www.satel.eu](http://www.satel.eu)

# 1. General

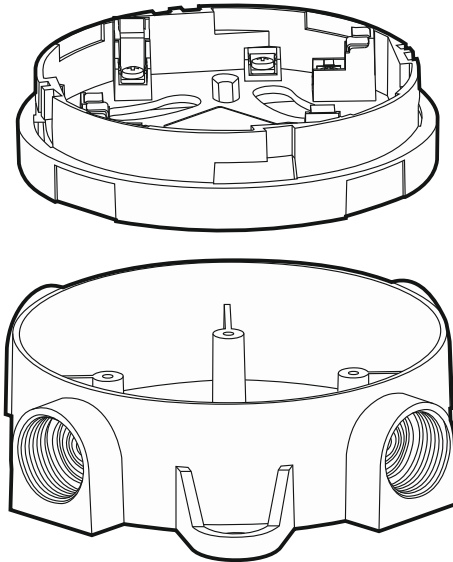
---

The DB-100 base (Fig. 1) allows you to install and connect the DMP-100, DRP-100 and DCP-100 conventional detectors to the fire alarm control panel. The wires to be connected to the base can be either concealed or surface mounted.

The DB-100 base can be installed by means of the intermediate PDB-100 industrial spacer (Fig. 2). The use of the industrial spacer is recommended for installing detectors in spaces where the phenomenon of water vapor condensation may occur on the ceiling.



3



## 2. DB-100 base wiring



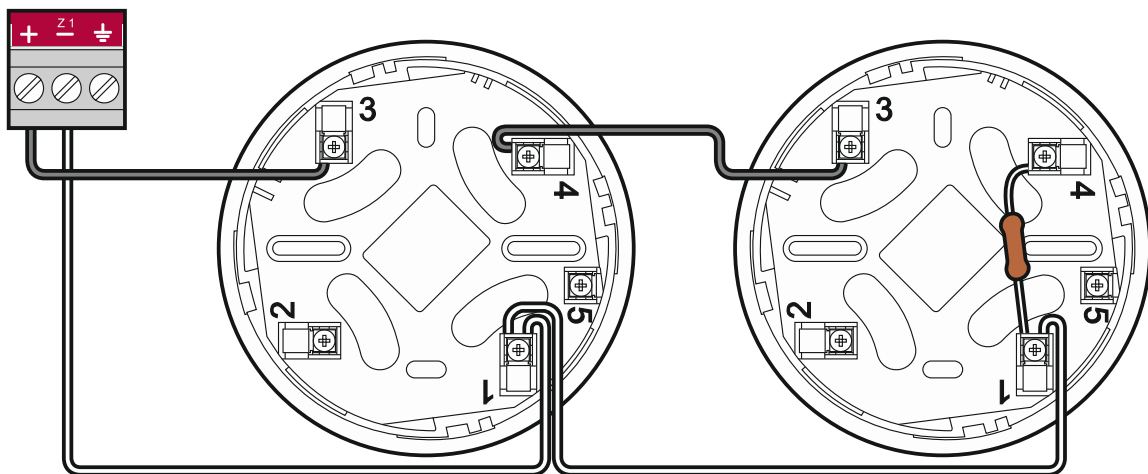
**Disconnect power before making any electrical connections.**

Connect wires to the screw terminals marked with the following numbers:

- 1 – terminal „-“;
- 2 – terminal „-“, dedicated for remote alarm indicator;
- 3 – terminal „+“;
- 4 – terminal „+“;
- 5 – terminal dedicated for screen connection.

Fig. 4 shows a typical connection.

4



## 3. Specifications

---

### 3.1 DB-100 detector base

Dimensions..... $\varnothing$ 106 x 26 mm

Weight ..... 52 g

### 3.2 PDB-100 industrial spacer

Dimensions..... 131 x 131 x 35 mm

Weight ..... 76 g