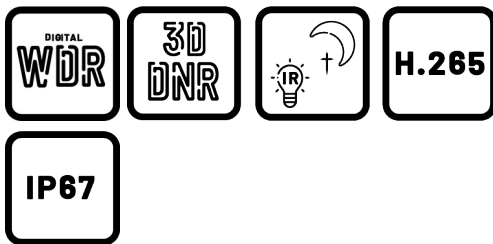


LENX

LX-IP-D4AIRVFZ 4.0 MP VF Network Bullet



- 1/3" progressive scan CMOS
- 2560 × 1440@20fps
- 2.8 mm to 12 mm manual/motorized (with-Z) vari focal lens
- H.265+, H.265, H.264+, H.264
- Dual stream
- 120 dB WDR (Wide Dynamic Range)
- 3D DNR (Digital Noise)
- Up to 30 m IR range
- PoE (Power over Ethernet)
- IP67

Available Models:
LX-IP-D4AIRVFZ

LENX

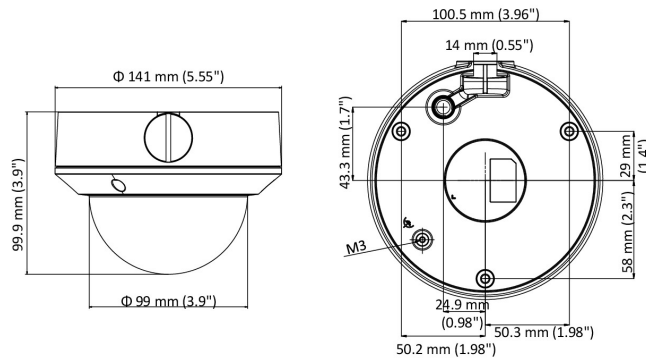
SPECIFICATION

Model	LX-IP-D4AIRVFZ
Camera	
Image Sensor	1/3" progressive scan CMOS
Min. Illumination	Color: 0.01 Lux @(F1.2, AGC ON), 0.018Lux @ (F1.6, AGC ON)
Shutter Speed	1/3 s to 1/100,000 s, support slow shutter
Slow Shutter	Yes
Auto-Iris	No
Day & Night	IR cut filter
Digital Noise Reduction	3D DNR
WDR	120 dB
Angle Adjustment	Pan: 0° to 355°, tilt: 0° to 70°, rotation: 0° to 360°
Lens	
Focal Length	2.8 to 12 mm
Aperture	F1.6
Focagem	-I: Manual -IZ: Auto
FOV	Horizontal field of view: 98° to 28° Vertical field of view: 51° to 16° Diagonal field of view: 115° to 32°
Lens Mount	Ø14
IR	
IR Range	Up to 30 m
Wavelength	850 nm
Compression Standard	
Video Compression	Main stream: H.265/H.264 Sub stream: H.265/H.264/MJPEG
H.264 Type	Baseline Profile/Main Profile/High Profile
H.264+	Suporta Main stream
H.265 Type	Main Profile
H.265+	Main stream supports
Video Bit Rate	32 Kbps to 8 Mbps
Smart Feature-set	
Region of Interest	1 fixed region for main stream and sub-stream
Image	
Max. Resolution	2560 × 1440
Main Stream Max. Frame Rate	50Hz: 20 fps (2560 × 1440), 25 fps (2304 × 1296, 1920 × 1080, 1280 × 720) 60Hz: 20fps (2560 × 1440), 30 fps (2304 × 1296, 1920 × 1080, 1280 × 720)
Sub-stream Max. Frame Rate	50Hz: 25 fps (640 × 480, 640 × 360, 320 × 240) 60Hz: 30fps (640 × 480, 640 × 360, 320 × 240)

Image Enhancement	BLC, 3D DNR
Image Setting	Saturation, brightness, contrast, sharpness, AGC, white balance adjustable by client software or web browser
Switch Dia/Noite	Auto, scheduled
Network	
Network Storage	Support Micro SD/SDHC/SDXC card (128G), local storage and NAS (NFS,SMB/CIFS), ANR
Alarm Trigger	Motion detection, video tampering alarm, network disconnected, IP address conflicted, illegal login
Protocols	TCP/IP, ICMP, HTTP, HTTPS, FTP, DHCP, DNS, DDNS, RTP, RTSP, RTCP, PPPoE, NTP, UPnP, SMTP, SNMP, IGMP, 802.1X, QoS, IPv 6, UDP, Bonjour
General Function	One-key reset, anti flicker heartbeat, motion error, password protection, privacy mask, watermark, IP address filter
Firmware Version	5.5.3
API	ONVIF (PROFILE PROFILE G), ISAPI
Simultaneous Live View	Up to 6 channels
User/Host	Up to 32 users 3 levels: Administrator, Operator and User
Client	Lenx, LenxApp
Web browser	IE8+, Chrome 31.0-44, Firefox 30.0-51, Safari 8.0+
Interface	
Communication Interface	1 RJ45 10M/100M self adaptive Ethernet port
Video Output (Without Z)	1Vp-p composite output (75 Ω/BNC)
Reset Button	Yes
General	
Operating Conditions	-30 °C to 50 °C 22 °F to 122 °F, humidity: 95% or less (non condensing)
Power Supply	12 V DC ± 25 %, 5.5 mm coaxial power plug PoE (802.3af, class 3)
Power Consumption and Current	-I2: 12 V DC , 0.8 A, Max: 10 W PoE: (802.3af, 3.6 V to 57 V), 0.35 A to 0.2 A, Max: 12 W -I1: 12 V DC , 5 A, Max: 6 W ; PoE: (802.3af, 3.6 V to 57 V), 0.22 A to 0.14 A, Max: 8 W
Protection Level	IP67, IK10 TVS 2000V lightning protection, surge protection and voltage transient protection
Material	Metal & Plastic
Dimensions	Camera: Ø 141 mm × 99.9 mm (5.6" × 3.9) With package: 140mm × 140 mm × 154 mm (5.5" × 5.5" × 6.1")
Weight	Camera: aproximadamente 820 g (1.8 lb.) With package: aproximadamente 1200 g (2.6 lb.)

LENX

DIMENSION



ACCESSORY



LX-1227ZJ
In-ceiling Mount



LX-1273ZJ-135
Wall Mount



LX-1273ZJ-135B
Wall Mount



LX-1280ZJ-DM21
Junction Box



LX-1276ZJ-SUS
Corner Mount



LX-1275ZJ-SUS
Vertical Pole Mount



LX-1281ZJ-DM23
Inclined Ceiling Mount



LX-1271ZJ-135
Pendant mount