



KFP-AF1-21

Addressable Fire Panel - 1 Loop - Portuguese, Portugal

Overview

The KFP-A Series life safety control systems are bringing the speed and functionality of high-end intelligent processing to small to mid-sized addressable applications. They feature an attractive contemporary design that fits with any decor. Special plastics allows for painting in any color and the easy to remove electronics will support in this matter. The gently curved door with the intuitive dark inset user interface and EN54 compliant graphical LCD offers a distinctive flair. The main controls are clearly, but discreetly highlighted with the focus on the central located Jog Dial.

With the addressable detection and a full line of easily configured option cards and modules, USB and Ethernet® connectivity, these quick-to-configure systems offer versatility that benefits building owners and life safety system installers alike.

The Panel

The fire panels supplied in local language, with user interface, with 1 loop that supports up to 250 devices in 512 zones, have standard 2 supervised sounder/fire-routing outputs, which can be used as freely programmable outputs as well. In addition 2 conventional relay outputs and 2 supervised outputs, working in pair and dedicated to common fire and fault conditions, as well as 2 user configurable inputs for monitoring and control are available.

Options

The panels supports one network board to create a maximum of 32 nodes / 32 loops network of fire panels, fire panel repeaters (including conventional fire panels and fire panel repeaters up to a maximum of 64 conventional zones). Last but not least, in case separate zone indications are required, a 20 or 40 zone fire/fault LED indicator board can be mounted in the panel or repeater with ample space for text.

Approvals & Compliance

- CE / CPD / EN54-2 / EN54-4
- NEN2535 / NBNS21-100 compliant
- BS5839-1 compliant
- VdS and LPCB certified
- WEEE / RoHS compliant

Details

- 1 loop with up to 512 zones
- Up to 40 LED Zone indicators for Fire and Fault with ample text space
- Auto configuration and default regional setup modes
- Ethernet port with TCP/IP for remote maintenance and programming
- EN54 compliant graphical LCD with icons and up to 256 zones
- Jog Dial with 4 soft buttons for simple and intuitive user control
- Aesthetic pleasing design with special paintable synthetic door
- Easy removable door and chassis for quick and clean installation
- All pluggable connectors
- 3 USB ports with memory stick support
- 3 RS232 ports
- Auxiliary 24VDC supply output with reset support
- 3 operator level menu structure
- History log memory for 9999 events
- Up to 72 hours standby time and 30 minutes alarm
- Compatible with the KL700A series detectors with replaceable optical chamber and loop powered sounders and base sounders

KFP-AF1-21

Addressable Fire Panel - 1 Loop - Portuguese, Portugal

Technical specifications

General

Maximum system capacity (device count)	up to 16000
Network size (nodes)	up to 64

Electrical

Power supply type	VAC
Operating voltage	110/230 VAC (+10%/-15%)
Current consumption	Nom. 0.6 / 1.3 A, Max. 1.5 / 3.15 A

Loop

Maximum loop capacity	1
-----------------------	---

Zone

Maximum zone capacity	up to 512
-----------------------	-----------

Standby battery

Capacity	Max. 2 x 12V/18Ah (use supplied cables)
----------	---

Physical

Form factor	Large
Physical dimensions	450 x 581 x 169 mm (W x H x D)
Net weight	7.4 kg (without battery)
Shipping weight	10.1 kg
Colour	White (RAL 9010)
Mounting type	Surface mount
Cable entries	18 (20mm) / 2 (20mm) / 2 removable plates (Top /Bottom/Back)

Environmental

Operating temperature	-8 to +42°C
Storage temperature	-10 to +50°C
Relative humidity	95% max. noncondensing
Environment	Indoor
IP rating	IP30: for indoor use only

Standards & regulation

Compliance	BS5839-1, CPD, LPCB, NBNS21-100, NEN2535, RoHS, VdS, WEEE
Certification	EN54-13, EN54-2, EN54-21, EN54-4

Mains supply

Frequency	50 / 60 Hz (±5%)
Fuse rating	2 / 4 A
Cable type	3 x 1.5 mm ² (live, neutral, earth)

Outputs

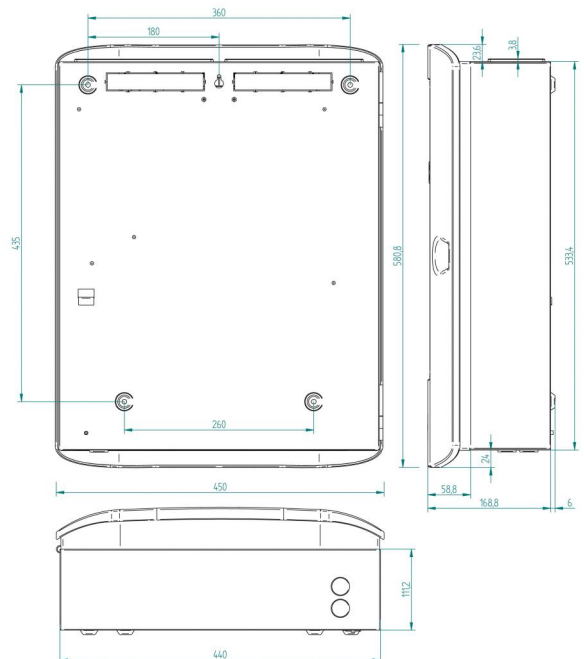
Programmable supervised	2, 750mA / 19.5-28VDC (24VDC nominal)
General Fire + Fault supervised	2, 350mA / 19.5-28VDC (24 VDC nominal)
General Fire + Fault relay	2
Aux	1 resetable, 500mA / 19.5-28VDC (24VDC nominal)
Cable type	Recommended 2 core 1.5 mm ² twisted pair
End of Line resistor	15kohm

Inputs

Programmable	2
Cable type	Recommended 2 core 1.5 mm ² twisted pair
End of Line resistor	15kohm
Maximum Load	150 mA

Loops

Outputs	1, 250 mA / 29VDC (29VDC to 36VDC)
Cable length	56ohm / 1µF max. 4 km
Cable type	Recommended 2 core 1.5 mm ² twisted pair



As a company of innovation, UTC Fire & Security reserves the right to change product specifications without notice. For the latest product specifications, visit UTC Fire & Security online or contact your sales representative.

Last updated on 22 October 2020 - 13:37

