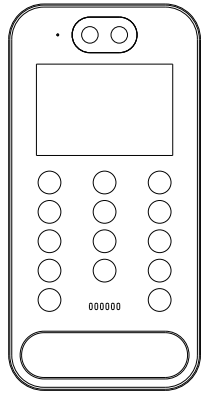
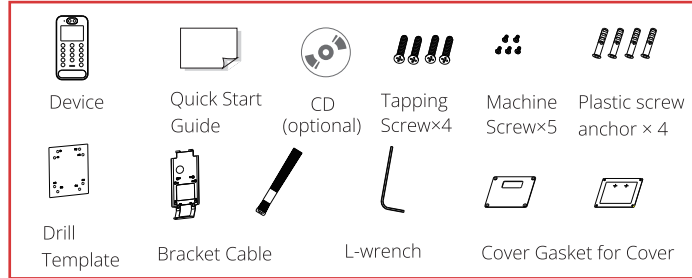


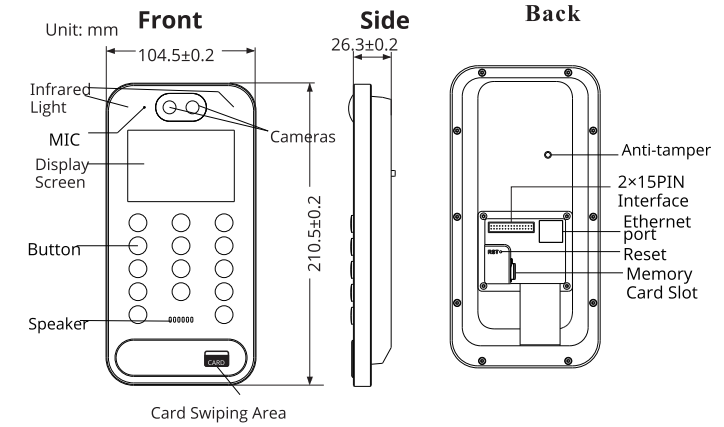
# Video Intercom Door Station Quick Start Guide



## 1 Package

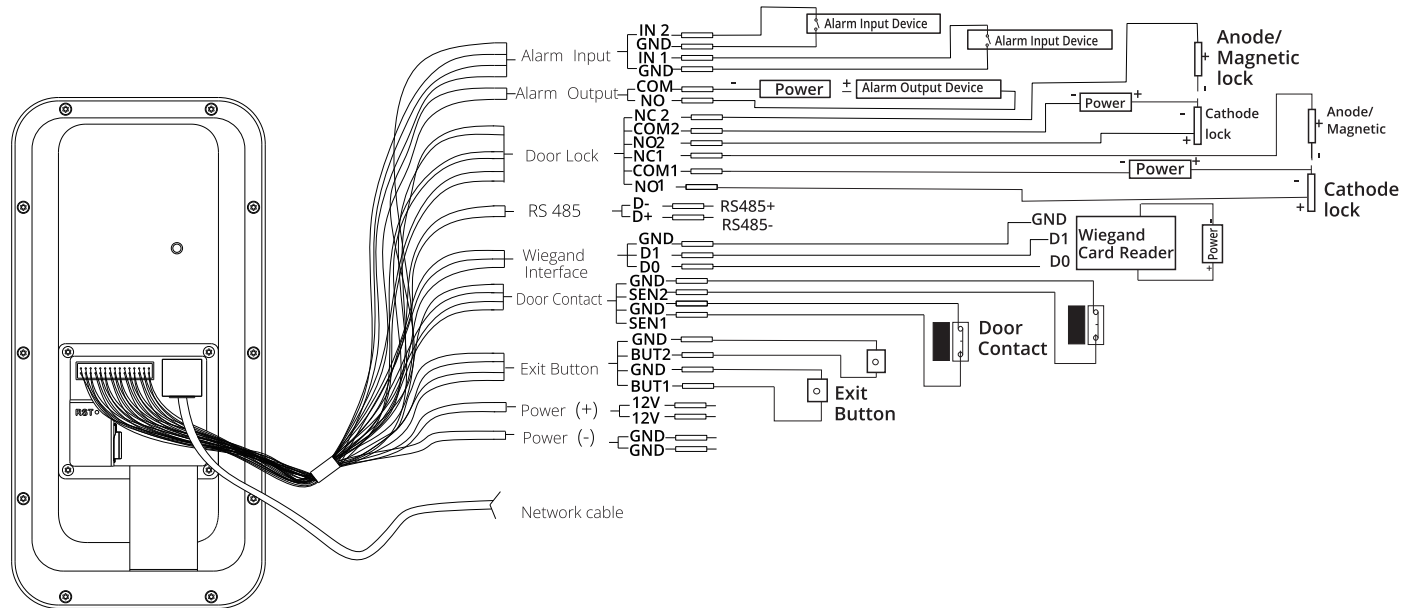


## 2 Overview



## 3 Cable Connection

| Alarm Input |     |      |     | Alarm Output      |     | Door Lock Interface    |      |      |                       |      |      | Power (+) |     |    |
|-------------|-----|------|-----|-------------------|-----|------------------------|------|------|-----------------------|------|------|-----------|-----|----|
| 1           | 2   | 3    | 4   | 5                 | 6   | 7                      | 8    | 9    | 10                    | 11   | 12   | 13        | 14  | 15 |
| IN 2        | GND | IN 1 | GND | COM               | NO  | NC 2                   | COM2 | NO 2 | NC 1                  | COM1 | NO 1 | 12V       |     |    |
| 16          | 17  | 18   | 19  | 20                | 21  | 22                     | 23   | 24   | 25                    | 26   | 27   | 28        | 29  | 30 |
| D-          | D+  | GND  | D1  | D0                | GND | SEN2                   | GND  | SEN1 | GND                   | BUT2 | GND  | BUT1      | GND |    |
| RS 485      |     |      |     | Wiegand Interface |     | Door Contact Interface |      |      | Exit Button Connector |      |      | Power (-) |     |    |



Note:  
\*The Wiegand terminal here is a Wiegand input terminal. If you want to connect to an access controller, you shall set the Wiegand direction to "Output".

### About This Manual

All pictures, images, icons and snapshots in this manual are for reference only. If there is inconsistency between the manual and the actual product, the actual product shall prevail. The manual will be updated according to the product improvement and are subject to change without prior written notice. [Legal Disclaimer](#)

To the maximum extent permitted by applicable law, the product described, with its hardware, software, and firmware, is provided "as is", with all faults and errors, and our company makes no warranties, express or implied, including particular purpose, and non-infringement of third party. In no event will our company, offices, or agents be liable to you for any special, consequential, incidental, or indirect damages, including, among others, damages for loss of business profits, business interruption, or loss of data or documentation, in connection with the use of this product, even if our company has been advised of the possibility of such damages. With regard to the product with internet access, the use of product shall be wholly at your own risks. Our company shall be irresponsible for abnormal operation, privacy leakage or other damages resulting from cyber attack, hacker attack, virus inspection, or other internet security risks; however, our company will provide timely technical support if necessary.

During the use of the device, please strictly abide by applicable law. In the event of any conflicts between this manual and the applicable law, the later prevails.

### Installation and Use

Please use our product according to the following safety instructions and warnings.

Do not place the camera in extremely hot, cold, dusty or damp location.

Do not expose it to high electromagnetic radiation.

If the product does not work properly, please contact your dealer or the nearest service center.

Never attempt to disassemble the camera yourself. (We shall not be responsible for any problems caused by unauthorized repair or maintenance.)

Do not drop the camera or subject it to physical shock.

Keep away from liquid while in use.

Do not touch the screen with sharp objects.

If cleaning is necessary, please use clean cloth to wipe it gently, avoiding water or alcohol.

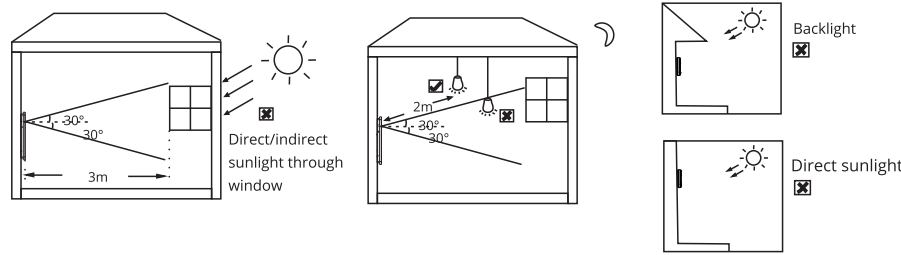
## 4 Installation

### Ambient Illumination Requirement

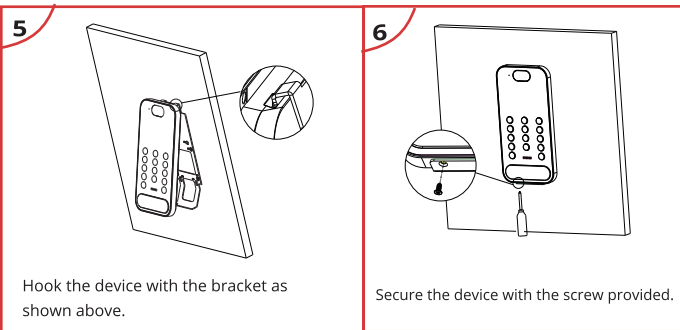
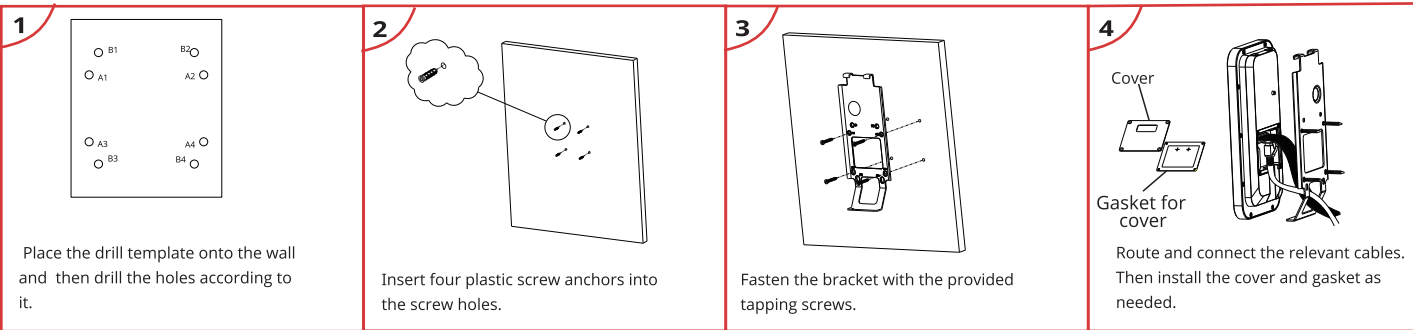
Make sure faces can be captured clearly.

Avoid direct sunlight and backlight .

The device should be at least 2 meters away from the light, and at least 3 meters away from the window or door.

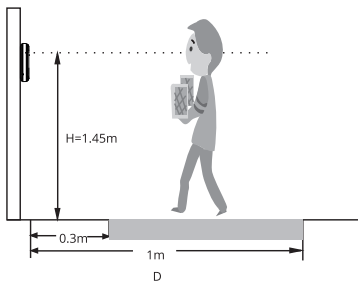


### Installation



### Height Requirement

The recommended installation height (H) is 1.45m. It can be adjusted according to the actual scene. The ideal face recognition distance ranges from 0.3m to 1m.



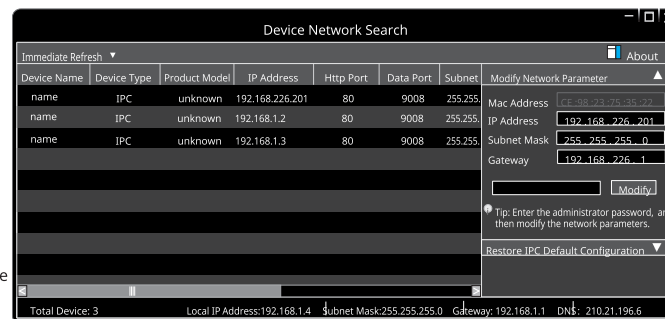
The human height range at different distance

| D    | Human Height Range |
|------|--------------------|
| 0.3m | 1.4~1.65m          |
| 0.5m | 1.25~1.80m         |
| 1m   | 0.9~2.10m          |

## 5 Network Connection

### Wired Network Connection

- 1 Make sure that the device and the PC are well connected via LAN.
- 2 Get the IP-Tool from the supplier and then install it in the computer. After that, run the IP-Tool as shown below.



- 3 Double-click the camera listed in the IP-Tool to connect IP camera. The default IP address of this camera is **192.168.226.201**.

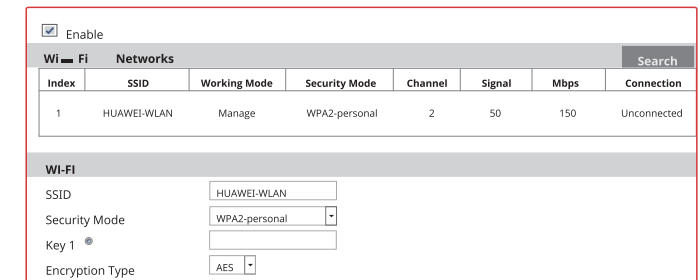
**Note:** Please make sure the camera and the computer are in the same local network.

- 4 Read the privacy statement and then activate the device. The default username is **admin**. You need to self-define the password. Then set the security questions and answers. It is important for you to remember these answers, or you will not be able to reset your password.
- 5 Follow directions to download and install the plugin if prompted. Available Web Browser: IE(plug-in required) /Google Chrome/Firefox/Safari/Edge  
It is recommended to use the latest version of the above browsers.

### Wi-Fi Connection

- 1 Use the network cable to connect the device and wireless router or AP.
- 2 Connect to the above wireless network with your PC. Then install and run the IP-Tool on your PC and then find the IP address of the device. The default IP address of this device is 192.168.226.201. Double click it. This will bring you to the login interface of the camera. Enter the username and password to log in.

- 3 Click 'Config' → 'Network' → 'WIFI' to go to the following interface.



- 4 Check 'Enable' to enable Wi-Fi. Then click 'Search' to refresh the wireless device list. Select the desired router, enter the key number and select encryption type. After that, select 'Obtain an IP address automatically' or manually enter the IP address by clicking 'Use the following IP address'. Then click 'Save' to save the settings.
- 4 Pull the network cable out of the device. Then you will see the network connection icon (📶). This means WI-FI is connected.

- 5 Run the IP-Tool and find the device through IP address or MAC address. Then double click it listed in the IP-Tool or enter the IP address of the device in the address bar of the web browser to access the device.