

## Eye-Sight

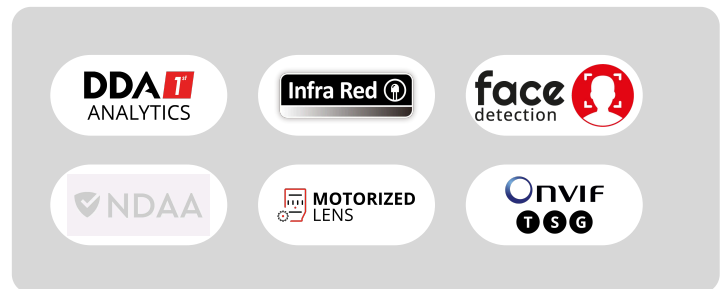
This series is designed for security professionals and offers superior image quality, advanced AI analytics, seamless connectivity, and unparalleled insight and protection, with options and configurations to meet specific needs. The Check Point Quantum IoT Nano and DDA2 Analytics provide detailed attribute analysis and advanced threat prevention.



# I6-320IPE-MVF

## 60m IR 2MP DDA Analytics Motorized Lens Large Bullet Camera

Equipped with a 2.8-12mm motorized lens, this 2MP bullet camera is designed for long distance surveillance (up to 60m) in both indoor and outdoor scenarios. The camera offers broad possibilities for Analytics, from Face Detection all the way to the outstanding DDA Analytics (Detect, Distinguish, Alert) which has the ability to perform both Object Recognition and Object Counting. With a various of detection rules and triggers, I4-320IPE-MVF camera will help to put an end to false alarms.



## MAIN FEATURES

- I6-320IPE-MVF 2MP MVF Bullet Camera with IR LED and DDA1 Analytics
- Sensor: 1/2.8" CMOS (16:9)
- Resolution: 1920x1080 25/30FPS (2MP)
- Lens: 2.8-12mm MVF with Auto Focus (103°-32°)
- True Day&Night – ICR
- Illumination: 60m (4 High-Power IR LED)
- Compression: H.265+ / H.264+ / H.265 / H.264 / MJPEG
- General Analytics: Camera Tampering
- AI (Object Recognition): DDA Sterile Area, DDA Line Crossing, DDA Object Counting
- AI (Face Detection): 10 Faces per frame
- True WDR (120dB), BLC, HLC, ROI
- SD Card: Event/Schedule Record (Up to 128Gb)
- Alarm in + Alarm Out
- Audio input + Audio output
- ONVIF: Profile T/S/G
- Water Proof: IP67
- Weight: ~1040g
- Power: DC12V/~910mA / PoE/~8.2W



<https://provision-isr.com>

## SPECIFICATIONS

3rd Party Cyber Protection	
General	N/A
Protection Methods	N/A
NDAA Compliant	
NDAA Compliant	No
Video	
Image Sensor	1/2.8" CMOS (16:9)
Effective Pixels	1920x1080
Electronic Shutter	1/25s ~ 1/100000s
Day & Night	ICR
Min. Illumination	Day: 0.1lux / Night: 0.005lux (@F1.6, AGC On) 0lux with IR on
Audio	
Audio compression	G.711A/G.711U
Communication	Two-Way Audio
Image	
Image Settings	AWB, AGC Adjustable, Exposure Mode (Auto) Sharpness, Saturation, Brightness & Contrast Adjustable
Image Enhancement	True WDR (120dB), BLC, HLC, ROI
Noise Reduction	3D-DNR
Image Orientation	Mirror/Flip, Corridor Mode
Privacy Zone	Yes
Events and Analytics	
Analytics	General Analytics: Camera Tampering AI (Object Recognition): DDA Sterile Area, DDA Line Crossing, DDA Object Counting AI (Face Detection): 10 Faces per frame
Motion Detection	Yes
Compression	

<b>Resolution</b>	2MP / 1MP / D1 (704x576) / QVGA (480x240) / CIF (352x288)
<b>Frame Rate</b>	1-25/30FPS
<b>Video Compression</b>	H.265+/ H.264+ / H.265 / H.264 / MJPEG**
<b>Multi-Stream</b>	Master Stream: 2MP (1920x1080) / 1MP (1280x720) (1~30fps) Sub-Stream: 1MP/QVGA/D1/CIF Third Stream: QVGA/D1/CIF (1~30fps)
<b>Bit Rate</b>	64Kbps ~ 4Mbps@H.265 / 64Kbps ~ 6Mbps@H.264
<b>Encode Mode</b>	VBR/CBR
<b>Image Quality</b>	Five levels under VBR; Free adjustment under CBR

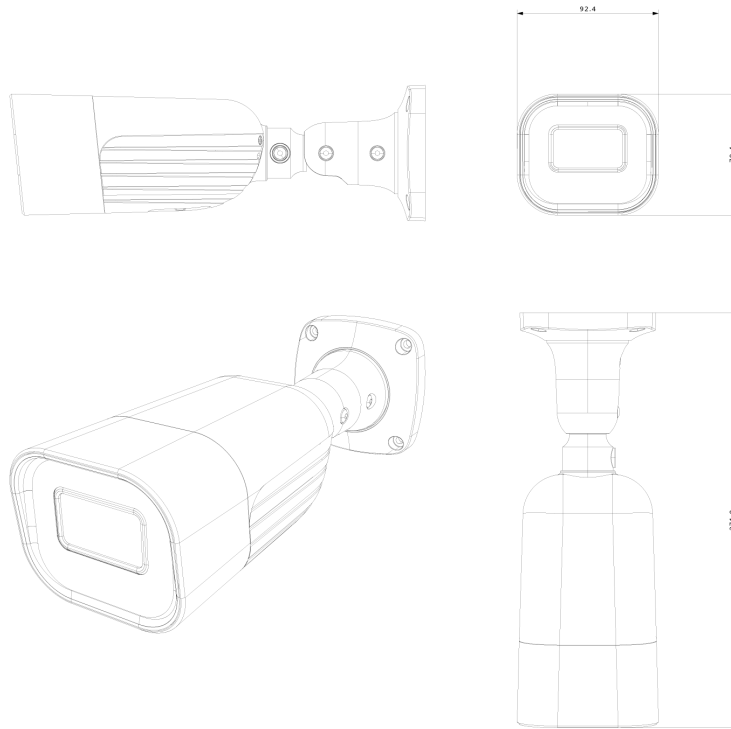
Lens	
<b>Lens (Field of View)</b>	2.8-12mm MVF with Auto Focus (103°-32°)
<b>Iris</b>	DC Iris
<b>Lens Mount</b>	Ø14 Mount

Network	
<b>User Access</b>	Supports simultaneous monitoring for up to 3 users with multi-stream real time transmission
<b>Network Protocol</b>	IPv4, IPv6, TCP, UDP, DHCP, NTP, DDNS, 802.1X, RTSP, Multicast, UPnP, Email, FTP, HTTPS, QoS
<b>Remote Monitoring</b>	IE Browsing, VMS Software, Provision Cam2 Mobile App
<b>Ethernet</b>	100Mbps
<b>ONVIF</b>	Profile T/S/G

Connectivity	
<b>Network</b>	RJ45 (+PoE)
<b>Audio Connectivity</b>	Audio input + Audio output
<b>Alarm</b>	Alarm in + Alarm Out
<b>SD Card</b>	Event/Schedule based Main/Substream recording (Up to 128Gb)
<b>Wiegand</b>	No

<b>Power</b>	DC Socket
<b>Analog Video Output</b>	CVBS out + Technician Port
<b>Housing</b>	
<b>PoE</b>	Yes
<b>Illumination</b>	60m (4 High-Power IR LED)
<b>Power Supply</b>	DC12V/~910mA / PoE/~8.2W
<b>Protection Rate</b>	Water Proof: IP67
<b>Work Environment</b>	-30°C~60°C, 10%~90% Humidity
<b>Bracket</b>	3-Axis Wall Bracket
<b>Dimensions</b>	271.8x92.4x79.4mm
<b>Weight (gross)</b>	~1040g
<b>Hard Reset Button</b>	Yes

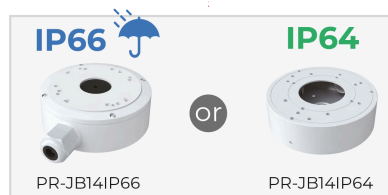
## DIMENSIONS



## ACCESSORIES



+



+

