

HD PRO

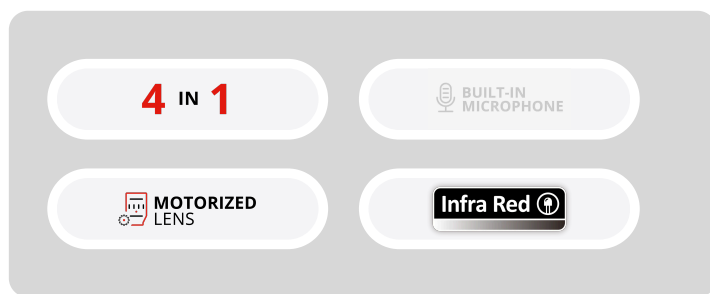
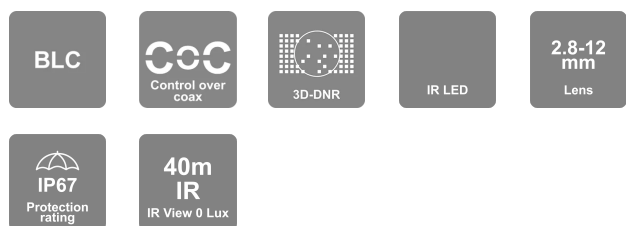
Series marked for the installer looking for a high-level camera emphasizing the difference in image quality. The Pro series cameras are suitable for indoor and outdoor applications where professional video surveillance is required.



I4-380A-MVF

40m IR 8MP Motorized Lens Medium Bullet Camera

This 4K bullet camera presents a stunning 8-megapixel image, equipped with a 2.8-12mm motorized lens, it is designed for medium distance surveillance (up to 40m) for both indoor and outdoor scenarios. Featuring 4in1 technology selectable by a protected dipswitch the camera is ideal for Plug & Play over existing analog infrastructure.



MAIN FEATURES

- I4-380A-MVF 40m IR 8MP Motorized Lens Medium Bullet Camera
- Sensor: 1/2.5" 8MP CMOS Sensor
- Selectable Output: 8MP: 3840×2160 AHD/TVI/CVI 5MP: 2592×1944 AHD/TVI 4MP: 2560×1440 AHD/TVI/CVI CVBS: 700TVL
- Lens: 2.8-12mm Mega-Pixel Motorized Vari-Focal (98°-38°)
- True Day&Night-ICR
- 3D-DNR/BLC
- Illumination: 40m (2 High-Power IR LED)
- IP67
- Weight: 730g
- Power: DC12V/600mA



<https://provision-isr.com>

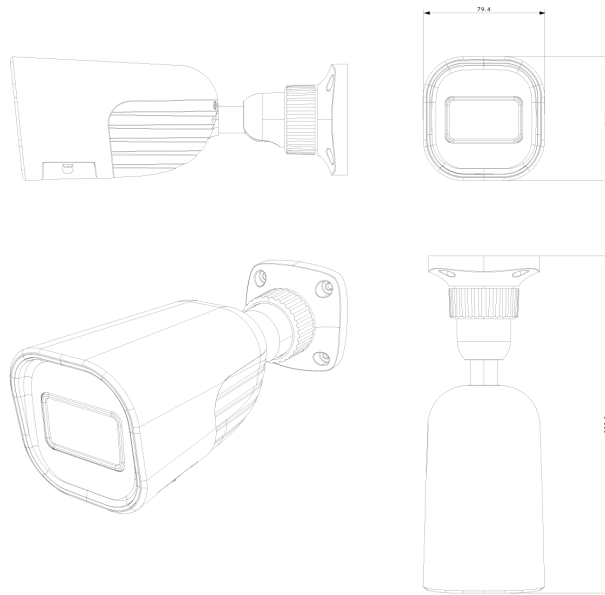
SPECIFICATIONS

Video	
Image Sensor	1/2.5" 8MP CMOS Sensor
Image Format	8MP/4MP - 16:9, 5MP - 4:3
Effective Pixels	3864x2202
Scanning System	Progressive
Min. Illumination	Color : 0.01lux @F1.2, AGC ON B/W : 0lux with IR
Day & Night	True Day&Night-ICR
Day & Night Modes	Ext/Auto/Day/Night
Compression	
Resolution	8MP: 3840x2160 AHD/TVI/CVI 5MP: 2592x1944 AHD/TVI 4MP: 2560x1440 AHD/TVI/CVI CVBS: 700TVL
Frame Rate	8MP @ 12/15FPS, 5MP @ 20FPS, 4MP @ 25/30FPS, CVBS @ 25/30FPS
Image	
Backlight Compensation	BLC
S/N Ratio	≥52dB (AGC OFF)
Privacy Zone	no
Noise Reduction	3D-DNR
Image Enhancement	BLC
On Screen Data	
CoC Support	Yes
OSD Menu	Available via CoC Only
Lens	
Field of View	2.8-12mm Mega-Pixel Motorized Vari-Focal (98°-38°)
Iris	DC Iris
Lens Mount	Ø14 Mount

Connectivity	
Audio Connectivity	N/A

Housing	
Illumination	40m (2 High-Power IR LED)
Bracket	3-Axis Bracket
Protection Rate	IP67
Dimensions	220.8*79.4*81.2mm
Weight (gross)	730g
Power	DC12V/600mA
Work Environment	-30°C ~ 50°C , 10% ~ 90% humidity

DIMENSIONS



ACCESSORIES

