

## HD PRO

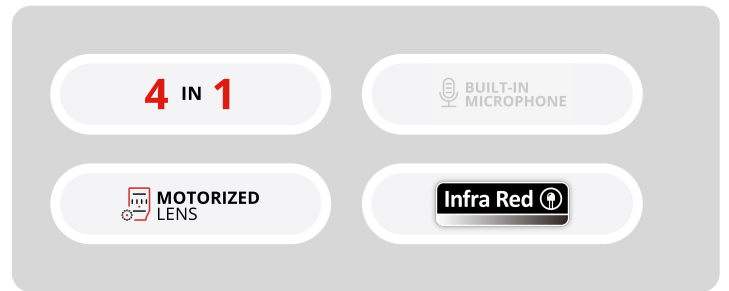
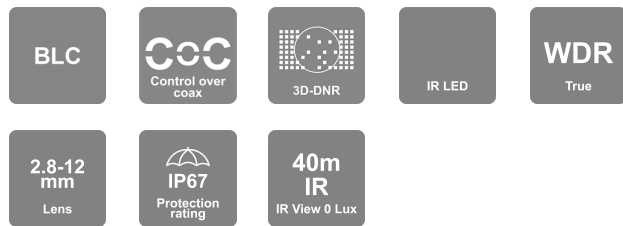
Series marked for the installer looking for a high-level camera emphasizing the difference in image quality. The Pro series cameras are suitable for indoor and outdoor applications where professional video surveillance is required.



# I4-350A-MVF

## 40m IR 5MP Motorized Lens Medium Bullet Camera

Equipped with a 2.8-12mm motorized lens, This 5MP bullet camera is designed for medium distance surveillance (up to 40m) for both indoor and outdoor scenarios. Featuring 4in1 technology selectable by a protected dipswitch the camera is ideal for Plug & Play over existing analog infrastructure.



## MAIN FEATURES

- I4-350A-MVF 40m IR 5MP Motorized Lens Medium Bullet Camera
- Sensor: 1/2.7" 5MP CMOS Sensor
- Selectable Output: 5MP: 2592×1944 AHD/TVI 4MP: 2560×1440 AHD/TVI/CVI CVBS: 700TVL
- Lens: 2.8-12mm Mega-Pixel Motorized Vari-Focal ( 84°-32° )
- True Day&Night-ICR
- Digital WDR

- 3D-DNR/Digital WDR/BLC
- Illumination: 40m (2 High-Power IR LED)
- IP67
- Weight: 690g
- Power: DC12V/660mA



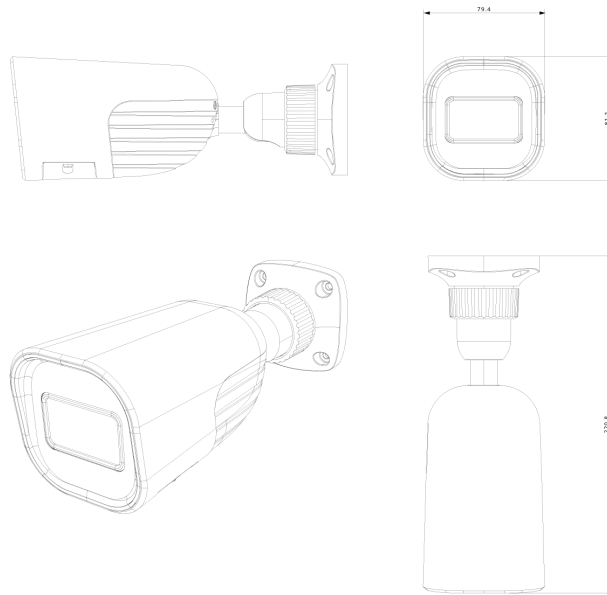
<https://provision-isr.com>

## SPECIFICATIONS

Video	
Image Sensor	1/2.7" 5MP CMOS Sensor
Image Format	5MP - 4:3. 4MP - 16:9
Effective Pixels	2608x1960
Scanning System	Progressive
Min. Illumination	Color : 0.01lux @F1.2, AGC ON B/W : 0lux with IR
Day & Night	True Day&Night-ICR
Day & Night Modes	Ext/Auto/Day/Night
Compression	
Resolution	5MP: 2592x1944 AHD/TVI 4MP: 2560x1440 AHD/TVI/CVI CVBS: 700TVL
Frame Rate	25/30FPS
Image	
Backlight Compensation	BLC
S/N Ratio	≥52dB (AGC OFF)
Privacy Zone	no
Noise Reduction	3D-DNR
Image Enhancement	Digital WDR, BLC
Image Orientation	Mirror/Flip
On Screen Data	
CoC Support	Yes
OSD Menu	Available via CoC Only
Lens	
Field of View	2.8-12mm Mega-Pixel Motorized Vari-Focal ( 84°-32° )
Iris	DC Iris

<b>Lens Mount</b>	Ø14 Mount
<b>Connectivity</b>	
<b>Video Output</b>	5MP / 4MP (Selected by OSD Menu) AHD/TVI/CVI/CVBS + PAL/NTSC (Selected by DIP Switch)
<b>Audio Connectivity</b>	N/A
<b>Housing</b>	
<b>Illumination</b>	40m (2 High-Power IR LED)
<b>Bracket</b>	3-Axis Bracket
<b>Protection Rate</b>	IP67
<b>Dimensions</b>	220.8*79.4*81.2mm
<b>Weight (gross)</b>	690g
<b>Power</b>	DC12V/660mA
<b>Work Environment</b>	-30°C ~ 50°C , 10% ~ 90% humidity

## DIMENSIONS



## ACCESSORIES

