

## S-Sight

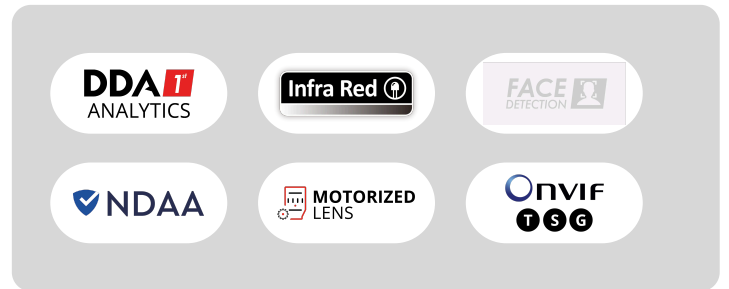
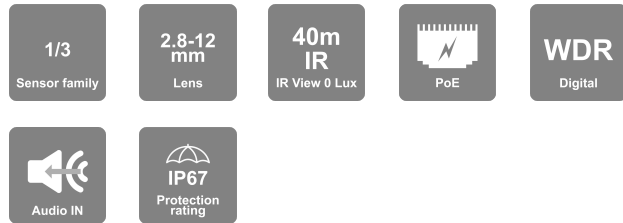
This series simplifies surveillance with high-quality images and enhanced night vision capabilities. Powered by AI (DDA™ Video Analytics and Face Recognition) and equipped with Check Point protection for comprehensive monitoring. Choose from rainbow cameras, Motorized Varifocal options, and Anti-Vandal designs for high-security areas.



# I4-340IPSN-MVF-V2

## 40m IR 4MP Motorized Vari-Focal Lens Medium Bullet Camera

Equipped with a 2.8-12mm motorized lens, this 4MP bullet camera is designed for medium-distance surveillance (up to 40m) in indoor and outdoor scenarios. The camera offers outstanding DDA Analytics (Detect, Distinguish, Alert), which can perform human and vehicle recognition. With its outstanding performance, reliability, and affordable price, the I4-340IPSN-MVF-V2 camera is the perfect solution for any basic installation.



## MAIN FEATURES

- I4-340IPSN-MVF-V2 4MP MVF Bullet Camera with IR LED and DDA1 Analytics
- Sensor: 1/3" CMOS (16:9)
- Resolution: 2560×1440 25/30FPS (4MP)
- Lens: 2.8-12mm MVF with Auto Focus (94°-35.7°)
- True Day&Night – ICR
- Illumination: 40m (2 High-Power IR LED)
- Compression: H.265 / H.264 / MJPEG
- General Analytics: Camera Tampering
- AI (Object Recognition): DDA Sterile Area, DDA Line Crossing
- Digital WDR, BLC, HLC, ROI
- SD Card: Event/Schedule Record (Up to 128Gb)
- Audio input
- ONVIF: Profile T/S/G
- Water Proof: IP67
- Weight: ~650g
- Power: DC12V/~780mA / PoE/~7.4W



<https://provision-isr.com>

## SPECIFICATIONS

3rd Party Cyber Protection	
General	N/A
Protection Methods	N/A
NDAA Compliant	
NDAA Compliant	Yes
Video	
Image Sensor	1/3" CMOS (16:9)
Effective Pixels	2560x1440
Electronic Shutter	1/25s ~ 1/100000s
Day & Night	ICR
Min. Illumination	Day: 0.1lux / Night: 0.03lux (@F2.0, AGC on) 0lux with IR on
Audio	
Audio compression	G.711A/G.711U
Communication	One-Way Audio
Image	
Image Settings	AWB, AGC Adjustable, Exposure Mode (Auto) Sharpness, Saturation, Brightness & Contrast Adjustable
Image Enhancement	Digital WDR, BLC, HLC, ROI
Noise Reduction	3D-DNR
Image Orientation	Mirror/Flip, Corridor Mode
Privacy Zone	Yes
Events and Analytics	
Analytics	General Analytics: Camera Tampering AI (Object Recognition): DDA Sterile Area, DDA Line Crossing
Motion Detection	Yes
Compression	

<b>Resolution</b>	4MP (2560x1440) / 3MP (2304x1296) / 2MP (1920x1080) / D1 / QVGA / CIF
<b>Frame Rate</b>	1-25/30FPS
<b>Video Compression</b>	H.265 / H.264 / MJPEG**
<b>Multi-Stream</b>	Master Stream: 4MP (2560x1440) / 3MP (2304x1296) / 2MP (1~30fps) Substream: 1MP (1~12/15fps) / QVGA/D1/CIF (1~30fps) Third Stream: QVGA/D1/CIF (1~30fps)
<b>Bit Rate</b>	64Kbps ~ 5Mbps@H.265 / 64Kbps ~ 5Mbps@H.264
<b>Encode Mode</b>	VBR/CBR
<b>Image Quality</b>	Five levels under VBR; Free adjustment under CBR

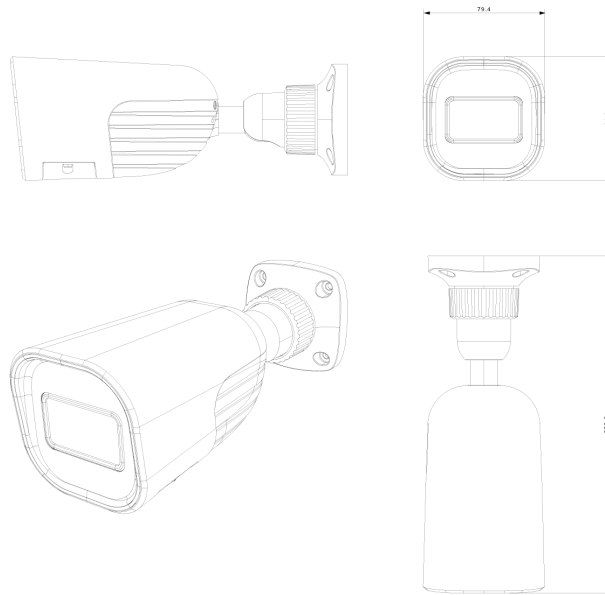
<b>Lens</b>	
<b>Lens (Field of View)</b>	2.8-12mm MVF with Auto Focus (94°-35.7°)
<b>Iris</b>	DC Iris
<b>Lens Mount</b>	Ø14 Mount

<b>Network</b>	
<b>User Access</b>	Supports simultaneous monitoring of up to 4 users with multi-stream real-time transmission
<b>Network Protocol</b>	IPv4, IPv6, TCP, UDP, DHCP, NTP, DDNS, 802.1X, RTSP, Multicast, UPnP, Email, FTP, HTTPS, QoS, P2P
<b>Remote Monitoring</b>	IE Browsing, VMS Software, Provision Cam2 Mobile App
<b>Ethernet</b>	100Mbps
<b>ONVIF</b>	Profile T/S/G

<b>Connectivity</b>	
<b>Network</b>	RJ45 (+PoE)
<b>Audio Connectivity</b>	Audio input
<b>Alarm</b>	No
<b>SD Card</b>	Event/Schedule based Main/Substream recording (Up to 128Gb)
<b>Wiegand</b>	No

<b>Power</b>	DC Socket
<b>Analog Video Output</b>	No
<b>Housing</b>	
<b>PoE</b>	Yes
<b>Illumination</b>	40m (2 High-Power IR LED)
<b>Power Supply</b>	DC12V/~780mA / PoE/~7.4W
<b>Protection Rate</b>	Water Proof: IP67
<b>Work Environment</b>	-30°C~60°C, 10%~90% Humidity
<b>Bracket</b>	3-Axis Bracket
<b>Dimensions</b>	220.8x79.4x81.2mm
<b>Weight (gross)</b>	~650g
<b>Hard Reset Button</b>	Yes

## DIMENSIONS



## ACCESSORIES

