

HD PRO

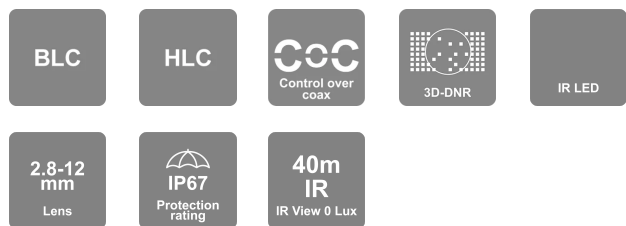
Series marked for the installer looking for a high-level camera emphasizing the difference in image quality. The Pro series cameras are suitable for indoor and outdoor applications where professional video surveillance is required.



I4-320A-VF-G

40m IR 2MP Vari-Focal Lens Medium Bullet Camera

Equipped with a 2.8-12mm Vari-Focal lens, this 2MP bullet camera is designed for medium-distance surveillance systems (up to 40m) for indoor and outdoor scenarios. Featuring 4in1 technology selectable by a protected dipswitch, the camera is ideal for Plug & Play over existing analog infrastructure.



MAIN FEATURES

- I4-320A-VF-G 40m IR 2MP Vari-Focal Lens Medium Bullet Camera
- Sensor: 1/2.9" 2MP CMOS Sensor
- Selectable Output: 2MP: 1920×1080 AHD/TVI/CVI 1MP: 1280×720 AHD/TVI/CVI CVBS: 700TVL
- Lens: 2.8-12mm Mega-Pixel Vari-Focal (96°-34°)
- True Day&Night-ICR

- 3D-DNR/HLC/BLC
- Illumination: 40m (2 High-Power IR LED)
- IP67
- Weight: 740g
- Power: DC12V/400mA



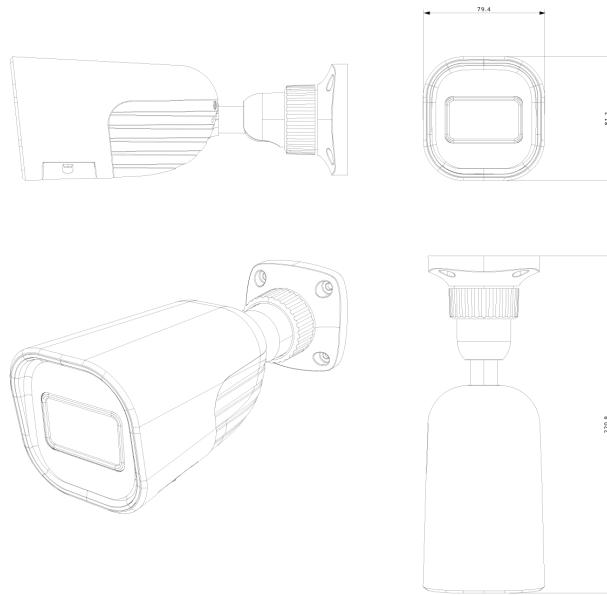
<https://provision-isr.com>

SPECIFICATIONS

Video	
Image Sensor	1/2.9" 2MP CMOS Sensor
Image Format	16:9
Effective Pixels	1936x1096
Scanning System	Progressive
Min. Illumination	Color : 0.005lux @F1.2, AGC on B/W : 0lux with IR
Day & Night	True Day&Night-ICR
Day & Night Modes	Ext/Auto/Day/Night
Compression	
Resolution	2MP: 1920x1080 AHD/TVI/CVI 1MP: 1280x720 AHD/TVI/CVI CVBS: 700TVL
Frame Rate	25/30FPS
Image	
Backlight Compensation	No
S/N Ratio	≥52dB (AGC off)
Privacy Zone	no
Noise Reduction	3D-DNR
Image Enhancement	BLC, HLC
On Screen Data	
CoC Support	Yes
OSD Menu	Available via CoC only
Lens	
Field of View	2.8-12mm Mega-Pixel Vari-Focal (96°-34°)
Iris	Fixed Iris
Lens Mount	Ø14 Mount

Connectivity	
Video Output	2MP / 1MP (Selected by OSD Menu) AHD/TVI/CVI/CVBS + PAL/NTSC (Selected by DIP Switch)
Audio Connectivity	N/A
Housing	
Illumination	40m (2 High-Power IR LED)
Bracket	3-Axis Bracket
Protection Rate	IP67
Dimensions	220.8*79.4*81.2mm
Weight (gross)	740g
Power	DC12V/400mA
Work Environment	-30°C ~ 50°C , 10% ~ 90% humidity

DIMENSIONS



ACCESSORIES

