

## HD PRO

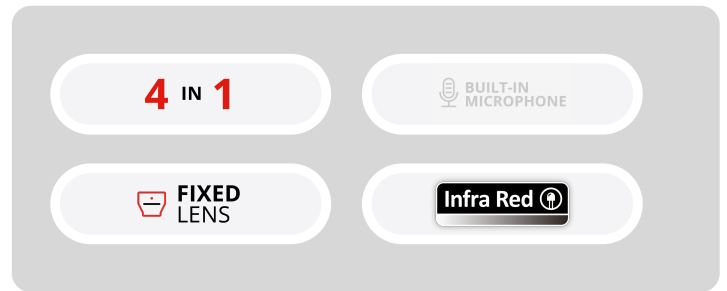
Series marked for the installer looking for a high-level camera emphasizing the difference in image quality. The Pro series cameras are suitable for indoor and outdoor applications where professional video surveillance is required.



# I4-320A-28

## 40m IR 2MP Fixed Lens Small Bullet Camera

Equipped with a 2.8mm fixed lens, this 2MP bullet camera is designed for medium distance surveillance systems (up to 40m) for both indoor and outdoor scenarios. Featuring 4in1 technology selectable by a protected dipswitch the camera is ideal for Plug & Play over existing analog infrastructure.



## MAIN FEATURES

- I4-320A-28 40m IR 2MP Fixed Lens Small Bullet Camera
- Sensor: 1/2.9" 2MP CMOS Sensor
- Selectable Output: 2MP: 1920×1080 AHD/TVI/CVI 1MP: 1280×720 AHD/TVI/CVI CVBS: 700TVL
- Lens: 2.8mm Mega-Pixel Fixed (85°)
- True Day&Night-ICR
- 3D-DNR/HLC/BLC
- Illumination: 40m (2 High-Power IR LED)
- IP67
- Weight: 670g
- Power: DC12V/450mA



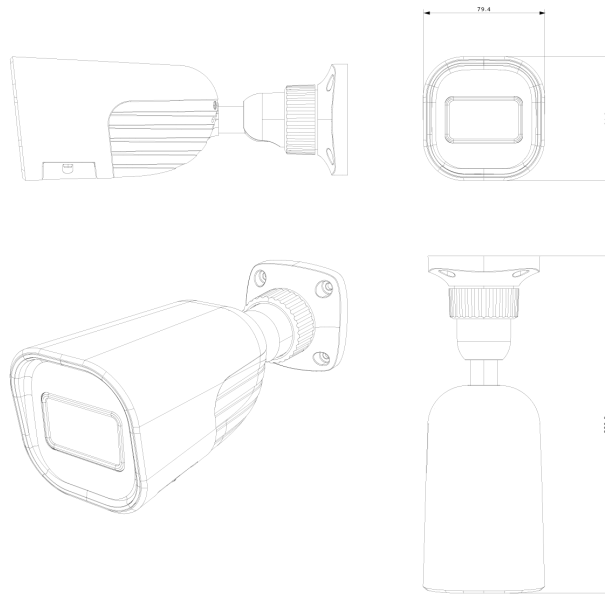
<https://provision-isr.com>

## SPECIFICATIONS

Video	
Image Sensor	1/2.9" 2MP CMOS Sensor
Image Format	16:9
Effective Pixels	1936x1096
Scanning System	Progressive
Min. Illumination	Color : 0.005lux @F1.2, AGC ON B/W : 0lux with IR
Day & Night	True Day&Night-ICR
Day & Night Modes	Ext/Auto/Day/Night
Compression	
Resolution	2MP: 1920x1080 AHD/TVI/CVI 1MP: 1280x720 AHD/TVI/CVI CVBS: 700TVL
Frame Rate	25/30FPS
Image	
Backlight Compensation	No
S/N Ratio	≥52dB (AGC OFF)
Privacy Zone	no
Noise Reduction	3D-DNR
Image Enhancement	BLC, HLC
On Screen Data	
CoC Support	Yes
OSD Menu	Available via CoC Only
Lens	
Field of View	2.8mm Mega-Pixel Fixed (85°)
Iris	Fixed Iris
Lens Mount	M12 Mount

Connectivity	
Video Output	2MP / 1MP (Selected by OSD Menu) AHD/TVI/CVI/CVBS + PAL/NTSC (Selected by DIP Switch)
Audio Connectivity	N/A
Housing	
Illumination	40m (2 High-Power IR LED)
Bracket	3-Axis Bracket
Protection Rate	IP67
Dimensions	220.8*79.4*81.2mm
Weight (gross)	670g
Power	DC12V/450mA
Work Environment	-30°C ~ 50°C , 10% ~ 90% humidity

## DIMENSIONS



## ACCESSORIES

