

HD PRO

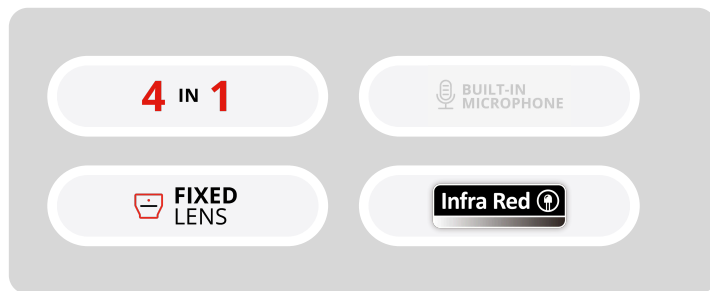
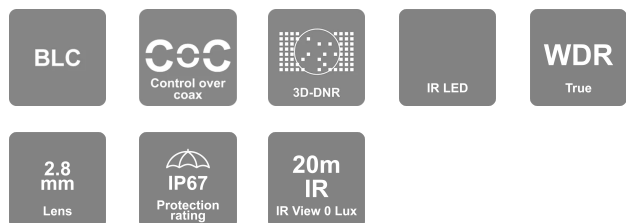
Series marked for the installer looking for a high-level camera emphasizing the difference in image quality. The Pro series cameras are suitable for indoor and outdoor applications where professional video surveillance is required.



I2-350A-28

20m IR 5MP Fixed Lens Small Bullet Camera

Equipped with a 2.8mm fixed lens, this 5MP bullet camera is designed for short distance surveillance systems (up to 20m) for both indoor and outdoor scenarios. Featuring 4in1 technology selectable by a protected dipswitch the camera is ideal for Plug & Play over existing analog infrastructure.



MAIN FEATURES

- I2-350A-28 20m IR 5MP Fixed Lens Small Bullet Camera
- Sensor: 1/2.7" 5MP CMOS Sensor
- Selectable Output: 5MP: 2592×1944 AHD/TVI 4MP: 2560×1440 AHD/TVI/CVI CVBS: 700TVL
- Lens: 2.8mm Mega-Pixel Fixed (91°)
- True Day&Night-ICR
- Digital WDR

- 3D-DNR/Digital WDR/BLC
- Illumination: 20m (1 High-Power IR LED)
- IP67
- Weight: 475g
- Power: DC12V/320mA



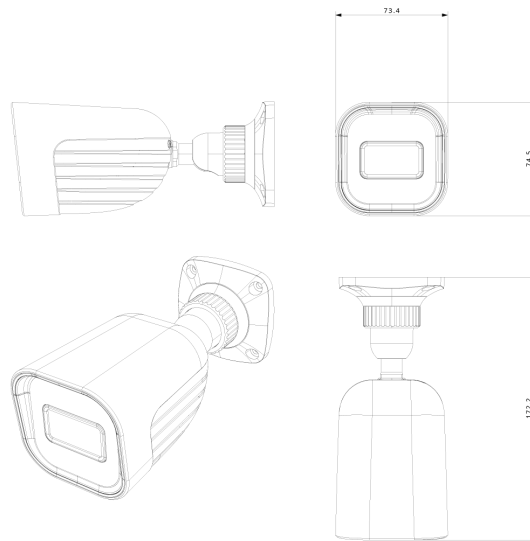
<https://provision-isr.com>

SPECIFICATIONS

Video	
Image Sensor	1/2.7" 5MP CMOS Sensor
Image Format	5MP - 4:3. 4MP - 16:9
Effective Pixels	2608x1960
Scanning System	Progressive
Min. Illumination	Color : 0.01lux @F1.2, AGC ON B/W : 0lux with IR
Day & Night	True Day&Night-ICR
Day & Night Modes	Ext/Auto/Day/Night
Compression	
Resolution	5MP: 2592x1944 AHD/TVI 4MP: 2560x1440 AHD/TVI/CVI CVBS: 700TVL
Frame Rate	25/30FPS
Image	
Backlight Compensation	BLC
S/N Ratio	≥52dB (AGC OFF)
Privacy Zone	no
Noise Reduction	3D-DNR
Image Enhancement	Digital WDR, BLC
Image Orientation	Mirror/Flip
On Screen Data	
CoC Support	Yes
OSD Menu	Available via CoC Only
Lens	
Field of View	2.8mm Mega-Pixel Fixed (91°)
Iris	Fixed Iris

Lens Mount	M12 Mount
Connectivity	
Video Output	5MP / 4MP (Selected by OSD Menu) AHD/TVI/CVI/CVBS + PAL/NTSC (Selected by DIP Switch)
Audio Connectivity	N/A
Housing	
Illumination	20m (1 High-Power IR LED)
Bracket	3-Axis Bracket
Protection Rate	IP67
Dimensions	172.2*73.4*74.5mm
Weight (gross)	475g
Power	DC12V/320mA
Work Environment	-30°C ~ 50°C , 10% ~ 90% humidity

DIMENSIONS



ACCESSORIES

