

Basic

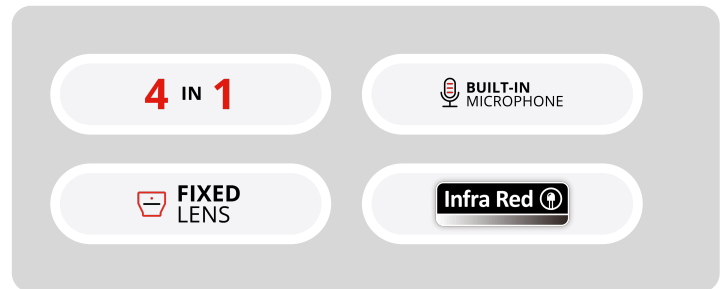
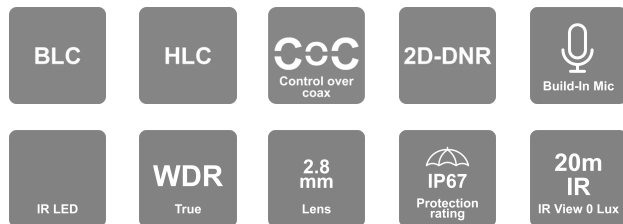
Series dedicated to the installer looking for high-level cameras that make the difference in image quality.



I2-320AB-28

20m IR 2MP Fixed Lens Small Bullet Camera

Equipped with a 2.8mm fixed lens, this 2MP Dome/Turret camera is designed for short-distance surveillance systems (up to 20m) for indoor and outdoor scenarios. Featuring 4in1 technology selectable by the camera COC menu, the I2-320AB-28 is the better choice for entry-level installations.



MAIN FEATURES

- I2-320AB-28 20m IR 2MP Fixed Lens Small Bullet Camera
- Sensor: 1/3" 2MP CMOS Sensor
- Selectable Output: 2MP: 1920×1080 AHD/TVI/CVI CVBS: 700TVL
- Lens: 2.8mm Mega-Pixel Fixed (90°)
- True Day&Night-ICR
- Digital WDR
- 2D-DNR/Digital WDR/HLC/BLC
- Illumination: 20m (2 High-Power IR LED)
- IP67
- Weight: 160g
- Power: DC12V/250mA



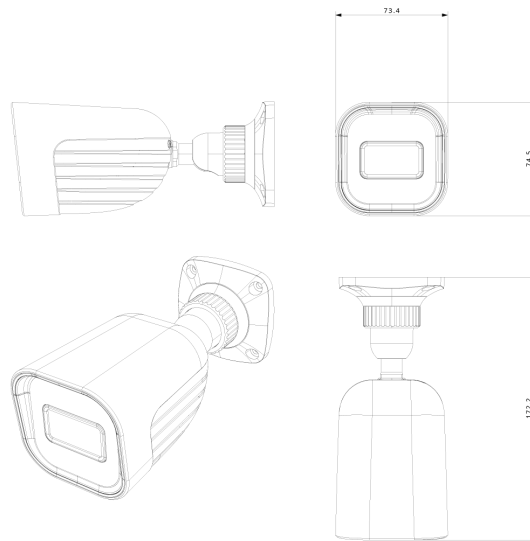
<https://provision-isr.com>

SPECIFICATIONS

| Video | |
|------------------------|---|
| Image Sensor | 1/3" 2MP CMOS Sensor |
| Image Format | 16:9 |
| Effective Pixels | 1920 x 1080 |
| Scanning System | Progressive |
| Min. Illumination | Color: 0.005lux @F1.2, AGC on B/W: 0lux with IR |
| Day & Night | True Day&Night-ICR |
| Day & Night Modes | Ext/Auto/Day/Night |
| Compression | |
| Resolution | 2MP: 1920x1080 AHD/TVI/CVI CVBS: 700TVL |
| Frame Rate | 25/30FPS |
| Image | |
| Backlight Compensation | BLC/HLC |
| S/N Ratio | ≥52dB (AGC off) |
| Privacy Zone | no |
| Noise Reduction | 2D-DNR |
| Image Enhancement | Digital WDR, BLC, HLC, ROI |
| On Screen Data | |
| CoC Support | Yes |
| OSD Menu | Available via CoC only |
| Lens | |
| Field of View | 2.8mm Mega-Pixel Fixed (90°) |
| Iris | Fixed Iris |
| Lens Mount | M12 Mount |

| Connectivity | |
|---------------------------|-----------------------------------|
| Video Output | 2MP AHD/TVI/CVI/CVBS + PAL/NTSC |
| Audio Connectivity | Built-in Microphone |
| Housing | |
| Illumination | 20m (2 High-Power IR LED) |
| Bracket | 3-Axis Bracket |
| Protection Rate | IP67 |
| Dimensions | 172.2*73.4*74.5mm |
| Weight (gross) | 160g |
| Power | DC12V/250mA |
| Work Environment | -30°C ~ 50°C , 10% ~ 90% humidity |

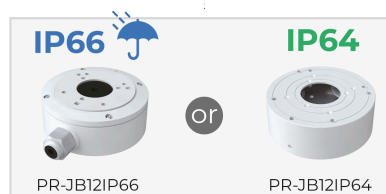
DIMENSIONS



ACCESSORIES



+



+

