



GLOBAL
FIRE EQUIPMENT

INSTALLATION MANUAL

GFE-SWR-BKT
GFE-SWR Flame Detectors Swivel Mounting Bracket (SM21)

Manufacturers of Fire Detection Equipment

GFE-SWR-BKT - INSTALLATION MANUAL 1.0 - 07/2016

Description

The swivel mount GFE-SWR-BKT(SM21) is a convenient mounting device for GFE-SWR flame detector models. The swivel mount enables you to thoroughly align the detectors to the fire risks. The swivel mount GFE-SWR-BKT(SM21) is suitable for Hazardous Areas applications.

Instructions

Remarks:

1. The swivel mount should be mounted by qualified personnel.
2. Read these instructions carefully before mounting the swivel mount and the detector.
3. Read also carefully the manual of the flame detector before mounting the swivel mount and the detector. In this manual you will find the detector positioning guidelines.
4. Never use liquid cleaning agent for the cleaning of the swivel mount to avoid build-up of electrostatic charges.
5. When cleaning the swivel mount GFE-SWR-BKT(SM21), use exclusively a damp microfiber cloth to avoid the mount from getting static.

Required tools:

- 1 metric wrench 13 mm
- 1 metric wrench 7 mm
- 1 screwdriver size 7

Mounting step by step:

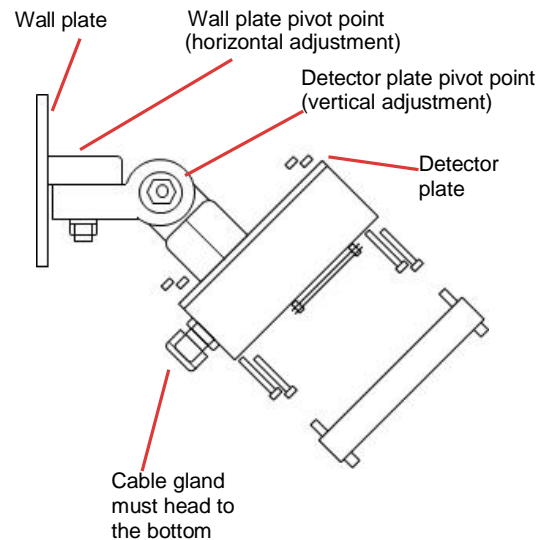
1. Loosen with help of the wrench 13 the bolt of the wall plate pivot point. Remove the wall plate from the rest of the swivel mount.
2. Mount the wall plate by means of 4 bolts or screws (not included) to a vibration free wall or to a pole.
3. Loosen the 4 red plastic screws that connect the cover of the flame detector to the housing and separate the cover.
4. Loosen the 4 bolts of the detector plate. With the help of a 7 mm wrench and a screwdriver mount with this 4 bolts the detector on the detector plate. The slit of the bolt must be placed in the detector housing and the nut behind the detector plate. The cable gland should head to the bottom. Make sure that the detector plate pivot point is nearest to the cable gland of the detector.
5. Put the detector with detector plate into the position that cabling of the detector is as convenient as possible. Tighten the bolt/nut of the wall plate pivot point temporarily.
6. Put the cabling of the flame detector according to the guidelines in the flame detector manual.
7. Place the cover of the detector on the housing and tighten the four red plastic screws with no more or less torque than 2 nm.
8. **Attention:** Make sure that the cover (with detector window) is placed in the correct orientation. The sensors should be visible if you look through the detector window.
9. Loosen the bolt of the detector plate pivot point and align the detector vertically in the right position. (Heading 45° to the bottom). Tighten the bolt.
10. Loosen the bolt of the wall plate pivot point and align the detector horizontally into the right position. Tighten the bolt.
11. Check if the flame detector is positioned correctly. Repeat, if necessary steps 8 and 9.
12. Check if all bolts are tightened correctly and tighten the cable gland.

Safety instruction:

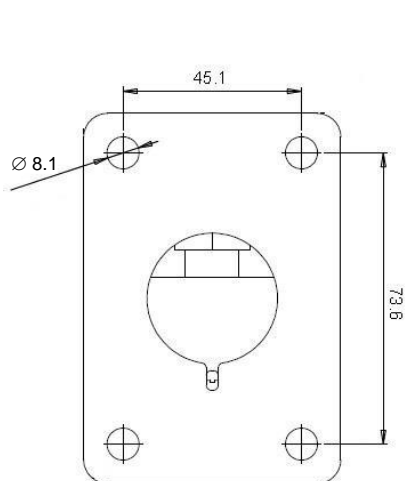
When cleaning the swivel mount GFE-SWR-BKT(SM21), use exclusively a damp microfiber cloth to avoid the mount from getting static.

Specifications

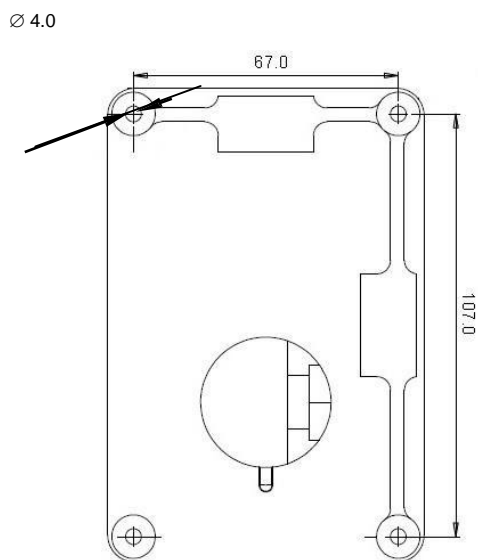
Material Swivel / Bolts and Nuts	PA66 / 316 SS
Weight	280 grams (0.62 lbs)



Dimensional Drawings (mm)



Hole pattern wall plate



Hole pattern detector plate

Check the website www.sense-ware.com or www.globalfire.pt for the latest information and latest version of this manual.

Due to the policy of continued product development SENSE-WARE Fire and Gas Detection BV reserves the right to alter or amend information in their publications without prior notice and no responsibility can be accepted for errors or omissions.

Manufacturers of Fire Detection Equipment

GFE-SWR-BKT - INSTALLATION MANUAL 1.0 - 07/2016

GLOBAL FIRE EQUIPMENT S.A.

Sítio dos Barrabés, Armazém Nave Y, Caixa Postal 908-Z, 8150-016 São Brás de Alportel - PORTUGAL
Tel: +351 289 896 560 • Sales: sales@globalfire.pt • Technical Support: techs@globalfire.pt • www.globalfire.pt