



VALKYRIE VOX A

ADDRESSABLE VOICE SOUNDER/BEACON

MADE IN PORTUGAL - EU

GLOBAL FIRE EQUIPMENT S.A.

Parque Industrial Municipal da Barracha, 8150-017 São Brás de Alportel - PORTUGAL | Tel: +351 289 896 560
 Email: info@globalfire-equipment.com | Technical Support: techs@globalfire-equipment.com | www.globalfire-equipment.com

TECHNICAL SPECIFICATIONS

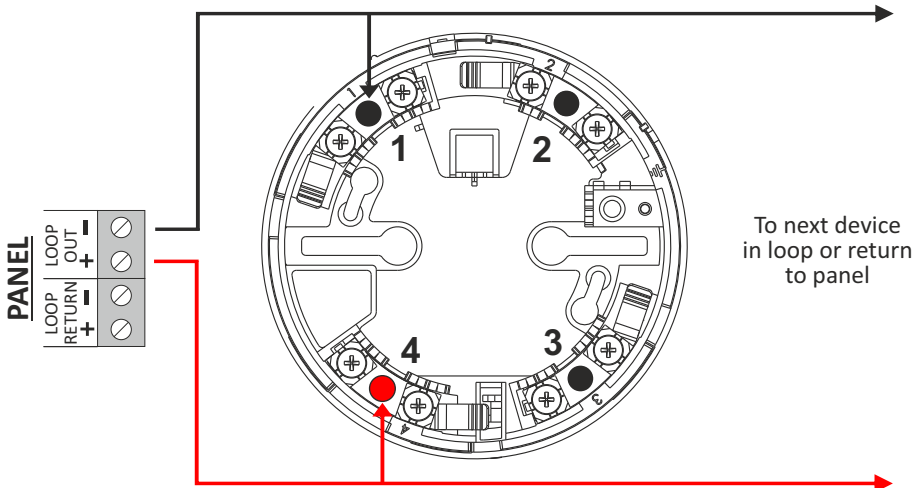
| | |
|-----------------------------|---|
| SUPPLY VOLTAGE | Loop: 20V to 30V DC |
| LOOP CURRENT | 0.7 mA (Quiescent) - 7.5 mA Max. (sounder active or charging) |
| LOOP CURRENT - ALARM BEACON | 1,4 mA |
| SOUND OUTPUT @ 1 METER | Tone 104 dBA - Voice Message 107 dBA |
| MAX. CABLE SIZE | 2.5 mm ² |
| MAX. HUMIDITY | 95% RH Non-Condensing |
| OPERATING TEMPERATURE | -10°C to 50°C |
| COLOUR | Red or White |
| CASE MATERIAL | ABS & PC |
| PROTECTION CATEGORY | IP21C - Type A - Indoor Use |
| DIMENSIONS | 109.5 (D) x 85.1 (H) mm |
| WEIGHT | 270 g - 325 g including packaging |

ORDER CODE

DESCRIPTION

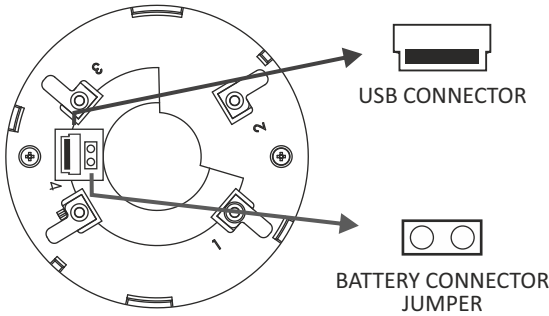
| | |
|-----------------|---------------------------------------|
| VALKYRIE VOX-A | ADDRESSABLE VOICE SOUNDER |
| VALKYRIE VOX-AB | ADDRESSABLE VOICE SOUNDER WITH BEACON |

SOUNDER BASE - LOOP & EXT. SUPPLY CONNECTIONS



NOTE: Address programmed on switches 1-5 has an OFFSET of 94. For example if D.I.L. switches 1-5 are all set to OFF the actual sounder address, as read by the panel, will be 94.

USER CONNECTOR



Use USB connector in conjunction with GFE's Vox Loader PC Software to program new tones and voice messages.

Software can be downloaded from our website.

NOTE: REMOVE THE BATTERY CONNECTOR JUMPER IF THE SOUNDER IS NOT SUPPLIED WITH POWER

BATTERY DIAGNOSTICS

GFE Panels will show the battery state on the Device Value menu.

Analog Value OK:

27 to 35 - Battery Voltage Value (2,7V to 3,5V)

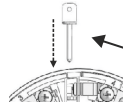
Analog Value indicating Battery FAIL:

- 6 - Battery Low (Keep the device connected to charge)
- 7 - Battery Damaged (No Jumper, or permanently damaged)
- 8 - Battery Error (Under 2,5V - Keep the device connected to charge)

BASE LOCK

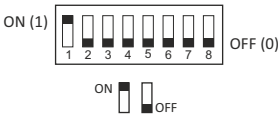


To lock sounder remove pin available at terminal 4 on the underside of the sounder using a small screwdriver.



To unlock sounder from its base push provided unlock key through hole available on the base side wall as shown.

D.I.L. SWITCHES CONFIGURATION



Switches 1-5
Used to configure address in the range 94-125

Switch 7
Beacon Stop only on Panel Reset: ON
Beacon Stop on Alarm Silence: OFF

Address Switches
1 ON = 1
2 ON = 2
3 ON = 4
4 ON = 8
5 ON = 16

Switch 6
Not used

Switch 8
Normal: ON / Shadow: OFF

SOUNDER/BEACON ADDRESS SETTINGS

| Sounder 1 | Sounder 2 | Sounder 3 | Sounder 4 | Sounder 5 | Sounder 6 | Sounder 7 | Sounder 8 |
|------------|------------|------------|------------|------------|------------|------------|------------|
| | | | | | | | |
| 94 | 95 | 96 | 97 | 98 | 99 | 100 | 101 |
| Sounder 9 | Sounder 10 | Sounder 11 | Sounder 12 | Sounder 13 | Sounder 14 | Sounder 15 | Sounder 16 |
| | | | | | | | |
| 102 | 103 | 104 | 105 | 106 | 107 | 108 | 109 |
| Sounder 17 | Sounder 18 | Sounder 19 | Sounder 20 | Sounder 21 | Sounder 22 | Sounder 23 | Sounder 24 |
| | | | | | | | |
| 110 | 111 | 112 | 113 | 114 | 115 | 116 | 117 |
| Sounder 25 | Sounder 26 | Sounder 27 | Sounder 28 | Sounder 29 | Sounder 30 | Sounder 31 | Sounder 32 |
| | | | | | | | |
| 118 | 119 | 120 | 121 | 122 | 123 | 124 | 125 |