

# GFE-MPX-REL V2

ORION Detection & Extinguishing Multiplexed Relay Outputs

MADE IN PORTUGAL - EU

## GLOBAL FIRE EQUIPMENT S.A.

Sítio dos Barrabés, Armazém Nave Y, Caixa Postal 908-Z, 8150-016 São Brás de Alportel - PORTUGAL

Tel: +351 289 896 560 • Sales: [sales@globalfire.pt](mailto:sales@globalfire.pt) • Technical Support: [techs@globalfire.pt](mailto:techs@globalfire.pt) • [www.globalfire.pt](http://www.globalfire.pt)

### TECHNICAL SPECIFICATIONS

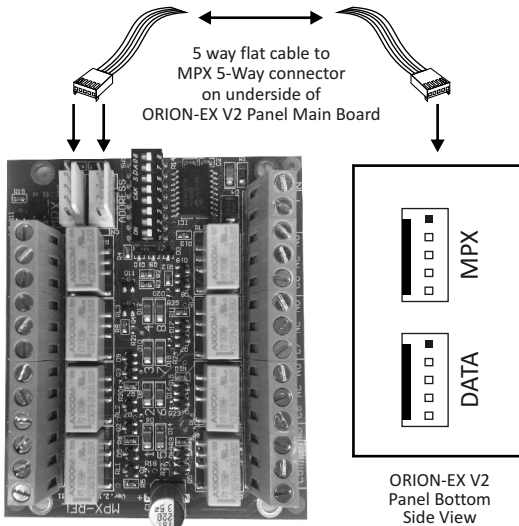
OPERATING VOLTAGE	(21-29V DC) 24V DC nominal
CURRENT: QUIESCENT	7 mA (without active relays)
CURRENT: ALARM	7 mA + 15 mA per active relay
RELAY CONTACT RATING	30V DC - 2A / 230V AC - 0.25A (resistive loads)
OPER. TEMPERATURE / MAX. HUMIDITY	-10°C to 50°C / 95% RH Non-Condensing
DIMENSIONS	88 (W) x 72.5 (L) mm
WEIGHT	4 relays: 60 g - 8 relays: 95 g
PANEL COMPATIBILITY	ORION-EX V2

### ORDER CODE

### DESCRIPTION

<b>GFE-MPX-REL4 V2</b>	MULTIPLYED 4 RELAYS OUTPUT CARD
<b>GFE-MPX-REL8 V2</b>	MULTIPLYED 8 RELAYS OUTPUT CARD

### CONNECTIONS



Using the 5 way flat cable provided with the GFE-MPX-REL V2, connect this board to the ORION-EX V2 panel between the MPX connector. The MPX connector is located on the underside of the Panel Main Board. On the module both MPX 5 way Molex connectors can be used as they are connected in parallel on the PCB. Supply to the GFE-MPX-REL V2 is normally derived from the Panel Auxilliary Supply Output but an external regulated and stabilized 24V DC supply can also be used.

**NOTE:** Remove power to both ORION-EX V2 panel and module before proceeding with any connections. Re-apply power after connections are complete and verified.

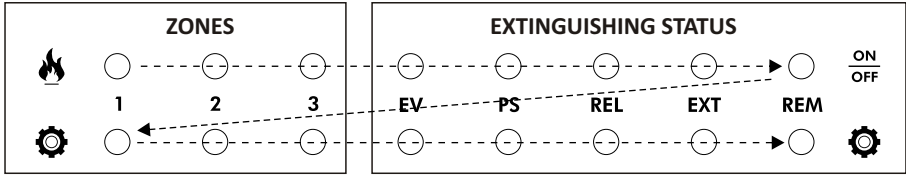
GFE-MPX-REL V2 outputs are activated according to ORION-EX V2 status shown in the table below:

GFE-MPX-REL V2 RELAYS	REL 1	REL 2	REL 3	REL 4	REL 5*	REL 6*	REL 7*	REL 8*
<b>ORION-EX V2</b>	Z1 ALARM	Z2 ALARM	Z3F ALARM	Z3X ALARM	S1	Pre- release	RM	RM

(\* ) These Outputs are only available in GFE-MPX-REL8 V2

## PANEL COMPATIBILITY

GFE-MPX-REL V2 is only compatible with ORION range panels that exhibit the following sequential LED behaviour during RESET



## D.I.L. SWITCHES CONFIGURATION



**Switches 1-3**  
Selects delayed zone

**Switch 8**  
Not used

**Switches 4-7**  
Set the delay time

## DELAY SETTINGS

### Relay selection



### Timer settings

