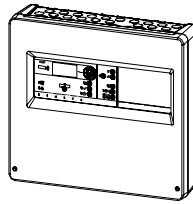


FC123-ZA / FC124-ZA

en	Fire control panel	pt	Painel de controlo
de	Brandmeldezentrale		
fr	Équipement de contrôle et signalisation		
es	Unidad de control de detección de incendios		
it	Centrale rivelazione incendio		
nl	Brandmeldcentrale		

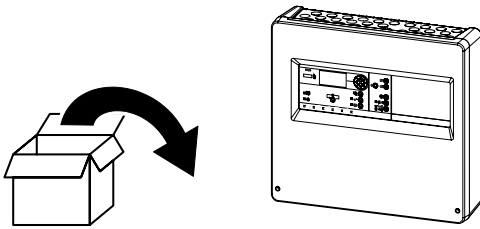
en Installation
de Montage
fr Montage
es Montaje
it Montaggio
nl Montage

pt Instalação

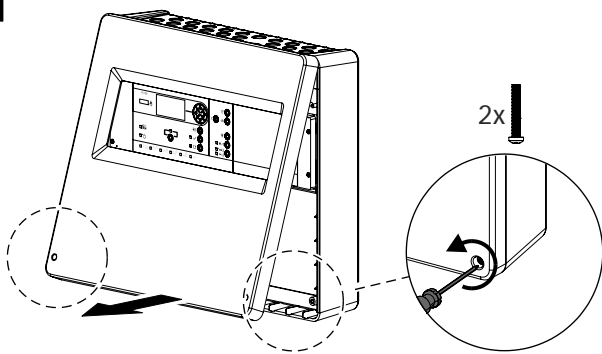


FC123-ZA, S54400-C129-A1
 FC124-ZA, S54400-C128-A1

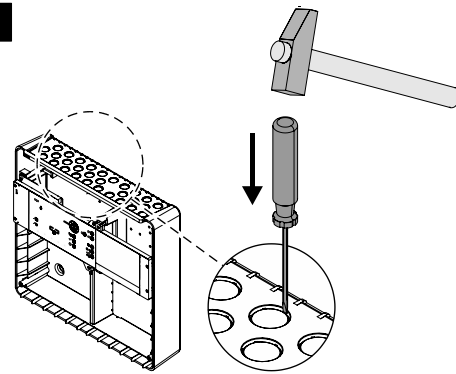
1



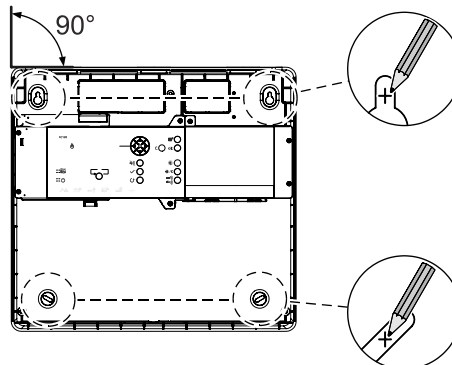
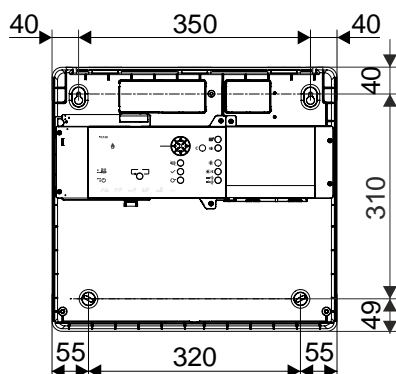
2

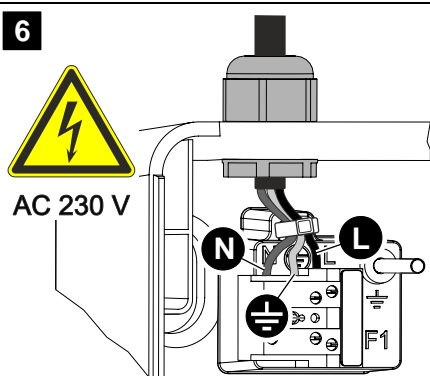
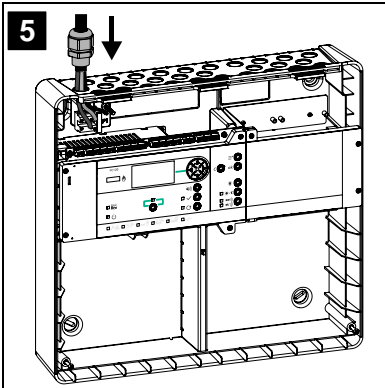


3

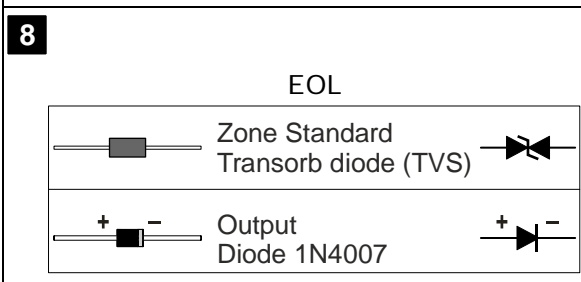
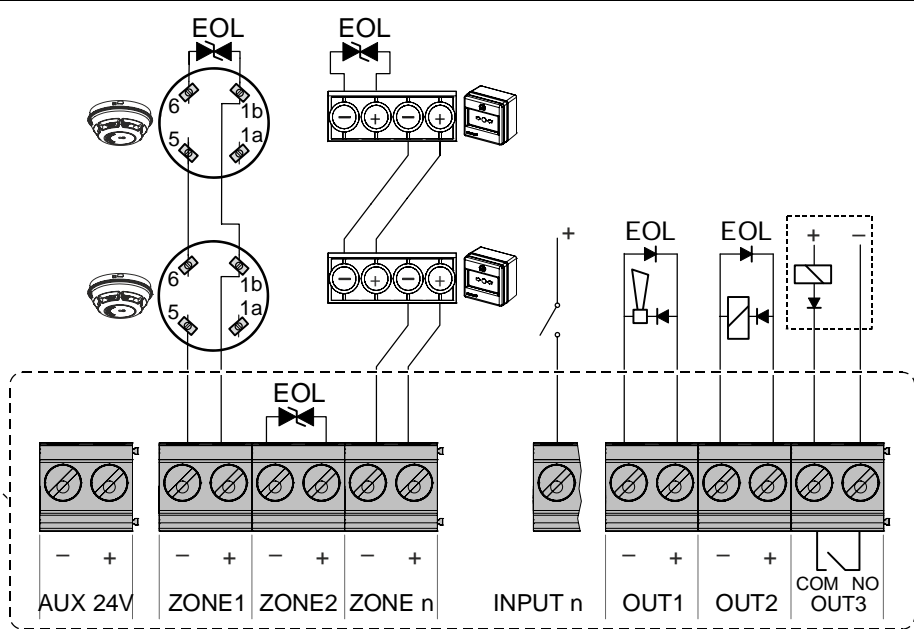
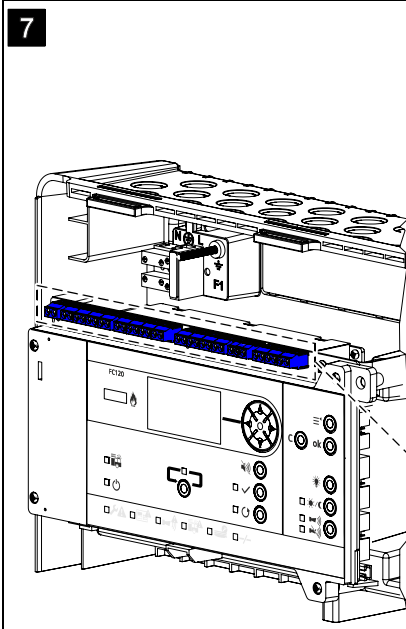


4

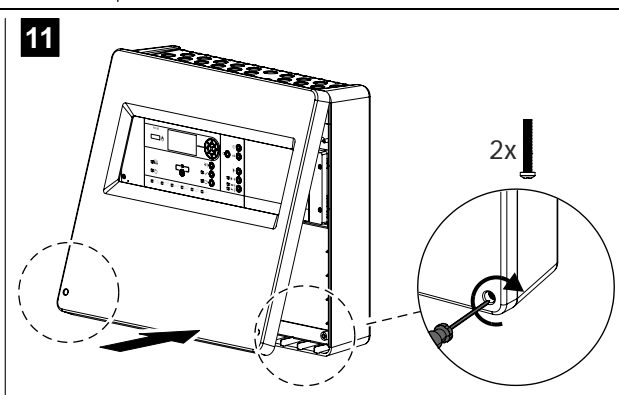
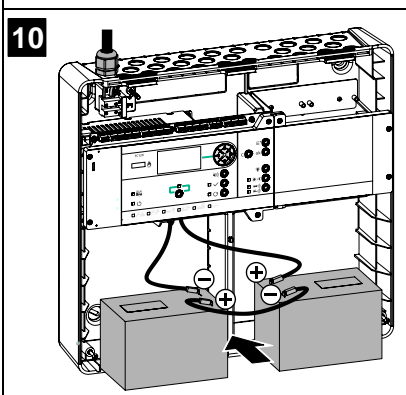




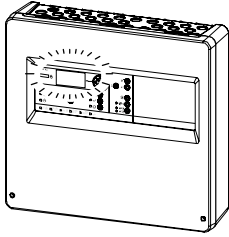
en	Switch off main supply AC 230 V
de	Netzspeisung AC 230 V ausschalten
fr	Couper l'alimentation réseau AC 230 V
es	Desconectar la fuente de alimentación de red AC 230 V
it	Disinserire l'alimentazione di rete AC 230 V
nl	Netvoeding AC 230 V uitschakelen
pt	Desligue a corrente elétrica AC 230 V



en	Switch on main supply AC 230 V
de	Netzspeisung AC 230 V einschalten
fr	Allumer l'alimentation réseau AC 230 V
es	Conectar la fuente de alimentación de red AC 230 V
it	Inserire l'alimentazione di rete AC 230 V
nl	Netvoeding AC 230 V inschakelen
pt	Ligue a corrente elétrica AC 230 V



12



13

Country settings	3
Presetting	<Factory > setting
Language	<English >



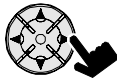
14

Country settings	3
Presetting	< DK >
Language	< English >



15

Country settings	3
Presetting	< DK >
Language	< English >



16

Country settings	3
Presetting	< DK >
Language	< English >

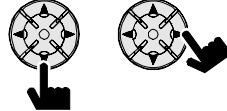


17

Country settings	3
Panel will restart!	

18

Set date & time	1
01.01.2000 00:00	



19

Set date & time	1
03.03.2013 14:10	



20

Normal Operation	
Siemens FC120	
03.03.2013 14:10	

21

en	Program and test the system
de	System programmieren und testen
fr	Programmer et tester le système
es	Programar y probar el sistema
it	Programmare e testare il sistema
nl	Test het systeem
pt	Programar e testar o sistema



en	You will find more information in document A6V10393190
de	Weitere Informationen finden Sie im Dokument A6V10393190
fr	Pour de plus amples informations, se référer au document A6V10393190
es	Para más información al respecto, consulte el documento A6V10393190
it	Per ulteriori informazioni si rimanda al documento A6V10393190
nl	Meer informatie kunt u vinden in het inbedrijfstel document A6V10393190
pt	Para mais informações, consulte o documento A6V10393190

www.siemens.com/buildingtechnologies

14 **CE** 0832

Siemens Switzerland Ltd, Gubelstrasse 22
CH-6301 Zug, Switzerland
Technical data: see doc. A6V10393190

FC123 / FC124 - control and indication equipment incl. FP2015 - 24VDC/70W power supply for use in fire detection and fire alarm systems installed in buildings

305/2011/EU (CPR): EN 54-2 / EN 54-4; 2004/108/EC (EMC): EN 50130-4 / EN 61000-6-3; 2006/95/EC (LVD): EN 60950-1; 2011/65/EU (RoHS): EN 50581

Declared performance and conformity can be seen in the Declaration of Performance and the EC Declaration of Conformity, which is obtainable via the Customer Support Center: Tel. +49 89 9221-8000 or <http://siemens.com/bt/download>

DoP No.: 0832-CPR-F0251; DoC: No.: CED-FC123-FC124

Siemens Switzerland Ltd
Infrastructure & Cities Sector
Building Technologies Division
International Headquarters
Gubelstrasse 22
CH-6301 Zug
Tel. +41 41 - 724 24 24
www.siemens.com/buildingtechnologies

© 2015 Copyright Siemens Switzerland Ltd
Data and design subject to change without notice.