

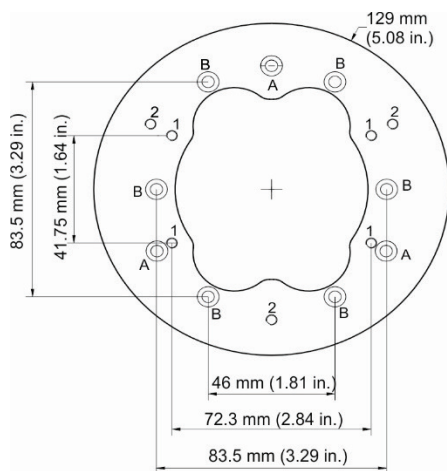
# DR-RWM-AD Adapter Plate Installation Instructions

The DR-RWM-AD adapter plate is used when attaching a fixed lens dome or wedge camera to a DR-RWM or TVD-M2-WM wall mount, or to a TVB-CB3 cup base, or a TVD-BB3 or TVD-BB3A back box. The DR-RWM-AD adapter plate is not included with the cameras. It can be ordered separately.

Refer to the Installation Guide for the appropriate camera you are installing, for the details on the camera housing (assembling/disassembling) and cable connections.

## Description

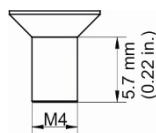
**Dimensions:** 129 × 3 mm (5.08 × 0.12 in.)



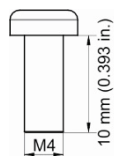
**Weight:** 127.6 g (0.28 lb.)

### Accessories:

**Screw A** 4 pcs  
(Used to attach the adapter plate to the wall mounts, cup base, or back boxes)



**Screw B** 4 pcs  
(Used to attach a camera or wedge adapter plate to the adaptor plate)



### Supported equipment:

**Hole A** DR-RWM: DR series wall mount  
**Hole B** TVD-M2-WM: TruVision Wall Mount  
 TVD-CB3: TruVision Dome 3-inch Cup Base  
 TVD-BB3: TruVision Dome Back Box  
 TVD-BB3A: TruVision Dome Angled Back Box

### Supported cameras:

**Hole 1 TruVision IP wedge cameras with adapter:**  
 NTSC: TVD-N210W-4-N, TVD-M1210W-2-N, TVD-M1210W-2W-N, TVD-M2210W-4-N, TVW-3101, TVW-3102, TVW-3107, TVW-3108, TVW-3109, TVW-3117, TVW-3118, TVW-3119

PAL: TVD-N210W-4-P, TVD-M1210W-2-P, TVD-M1210W-2W-P, TVD-M2210W-4-P, TVW-1101, TVW-1102, TVW-1107, TVW-1108, TVW-1109, TVW-1117, TVW-1118, TVW-1119

Selectable: TVW-5301, TVW-5302, TVW-5303, TVW-5304, TVW-5305

### TruVision wireless IP wedge cameras with adapter:

NTSC: TVW-3103, TVW-3104, TVW-3105, TVW-3106, TVW-3116, TVW-3130

PAL: TVW-1103, TVW-1104, TVW-1105, TVW-1106, TVW-1116, TVW-1130

### TruVision analog wedge cameras with adapter:

NTSC: TVW-4101, TVW-4401

PAL: TVW-2101, TVW-2401

### Hole 2 TruVision IP fixed lens plastic dome:

NTSC: TVD-3101, TVD-3102, TVD-3105, TVD-3106

PAL: TVD-1101, TVD-1102, TVD-1105, TVD-1106

Selectable: TVD-5301 and TVD-5302

### TruVision HD-TVI fixed lens plastic dome:

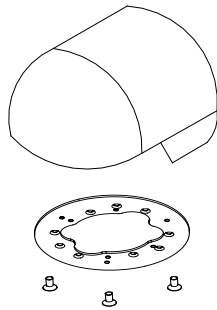
NTSC: TVD-4401, TVD-4403

PAL: TVD-2401, TVD-2403

## Installation using a wall mount

To attach a DR-RWM-AD adapter plate to a DR-RWM wall mount:

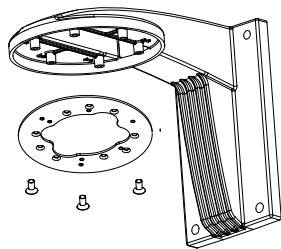
1. Attach the DR-RWM-AD adapter plate to the DR-RWM wall mount by inserting three A screws into holes A of the adapter plate (see the *Dimensions* figure for the location of the holes).



2. Attach the camera to the DR-RWM-AD by inserting screws B into holes 1 or 2 (see the *Dimensions* figure for the location of the holes).

**To attach a DR-RWM-AD adapter plate to a TVD-M2-WM wall mount:**

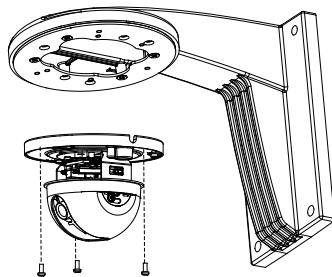
1. Attach the DR-RWM-AD adapter plate to the TVD-M2-WM wall mount by inserting three A screws into holes B (see the *Dimensions* figure for the location of the holes).



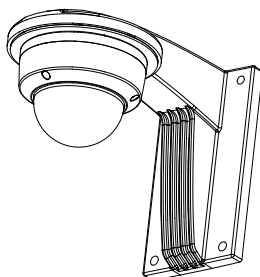
2. Attach the camera to the DR-RWM-AD adapter plate by inserting B screws into holes 1 or 2 (see the *Dimensions* figure for the location of the holes).

**To attach a fixed lens dome to a DR-RWM-AD adapter plate:**  
(The image below is of the TVD-M2-WM wall mount. Same instructions apply for the DR-RWM wall mount)

1. Remove the bubble assembly, make the proper connections to the camera harness and conceal the cables. Attach the dome to the adapter plate by inserting three B screws into holes 2 (see the *Dimensions* figure for the location of the holes).

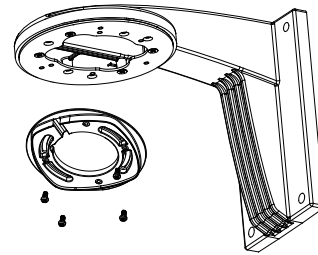


2. Adjust the lens for the correct surveillance angle. Reattach the bubble assembly to the camera.

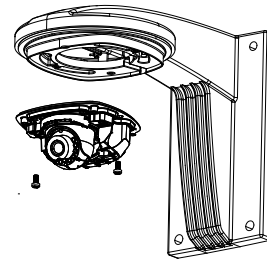


**To attach a wedge camera to a DR-RWM-AD adapter plate:**  
(The image below is of the TVD-M2-WM wall mount. Same instructions apply for the DR-RWM wall mount)

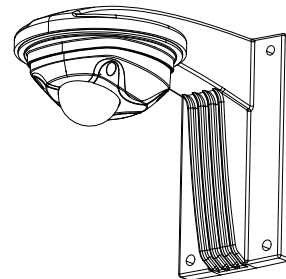
1. Attach the wedge adaptor (supplied in the wedge camera package) to the DR-RWM-AD adapter plate by inserting four B screws into holes 1 (see the *Dimensions* figure for the location of the holes).



2. Remove the bubble assembly, make the proper connections to the camera harness and conceal the cables. Attach the wedge camera to the adapter plate using the 2 screws that are provided with the wedge camera.



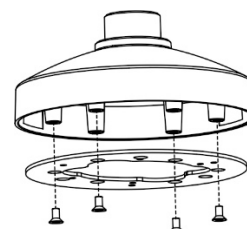
3. Adjust the lens for the correct surveillance angle. Reattach the bubble assembly to the camera.



**Installation using a cup base**

**To attach a DR-RWM-AD adapter plate to a TVD-CB3 cup base:**

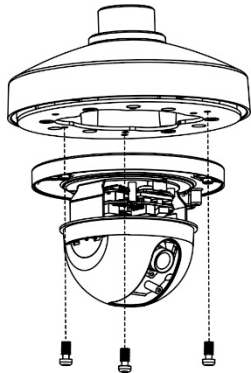
1. Attach the DR-RWM-AD adapter plate to the TVD-CB3 cup base by inserting four A screws into holes B (see the *Dimensions* figure for the location of the holes).



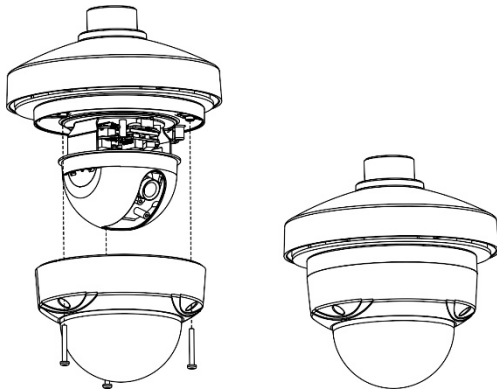
- Attach a camera to the DR-RWM-AD adapter plate by inserting three B screws into holes 1 or 2 (see the *Dimensions* figure for the location of the holes).

**To attach a fixed lens dome to a DR-RWM-AD adapter plate**

- Remove the bubble assembly, make the proper connections to the camera harness and conceal the cables. Attach the dome to the adapter plate by inserting three B screws into holes 2 (see the *Dimensions* figure for the location of the holes).



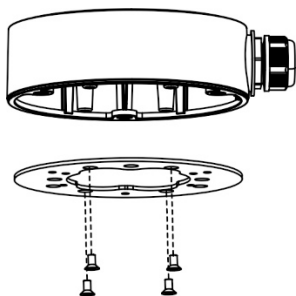
- Adjust the lens for the correct surveillance angle. Reattach the bubble assembly to the camera.



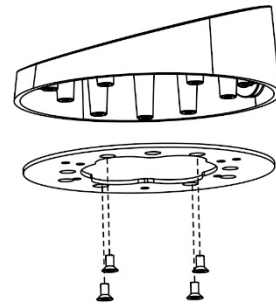
**Installation using a TVD-BB3 or TVD-BB3A back box**

**To attach a DR-RWM-AD adapter plate to a TVD-BB3 or TVD-BB3A back box:**

- Attach the DR-RWM-AD adapter plate to the TVD-BB3 or TVD-BB3A back box by inserting four A screws into holes B (see the *Dimensions* figure for the location of the holes).



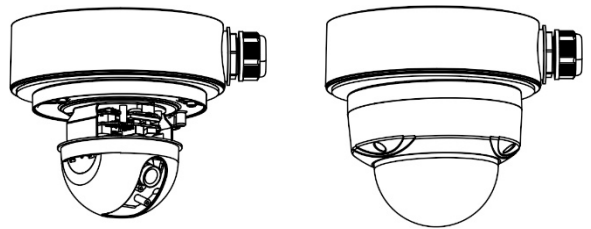
TVD-BB3 Back Box



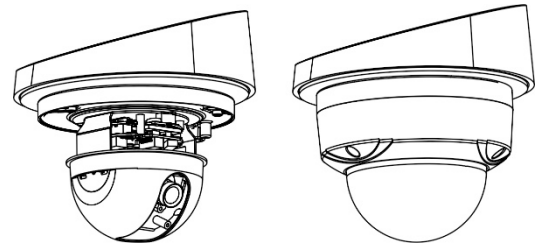
TVD-BB3A Angled Back Box

**To attach a fixed lens dome to a DR-RWM-AD adapter plate**

- Remove the bubble assembly, make the proper connections to the camera harness and conceal the cables. Attach the dome to the adapter plate by inserting three B screws into holes 2 (see the *Dimensions* figure for the location of the holes).
- Adjust the lens for the correct surveillance angle. Reattach the bubble assembly to the camera.



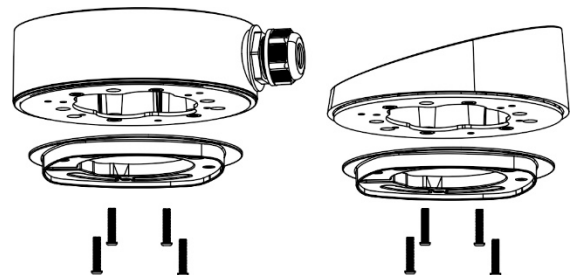
TVD-BB3 Back Box



TVD-BB3A Angled Back Box

**To attach a wedge to a DR-RWM-AD adapter plate**

- Attach the wedge adaptor (supplied in the wedge camera package) to the DR-RWM-AD adapter plate by inserting four B screws into holes 1 (see the *Dimensions* figure for the location of the holes).



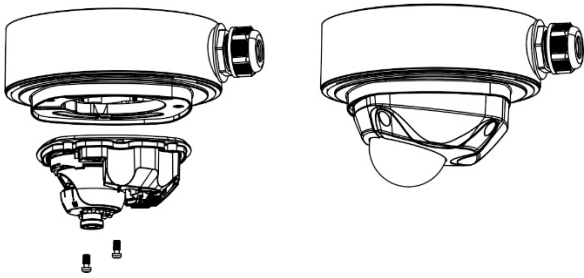
TVD-BB3 Back Box

TVD-BB3A Angled Back Box

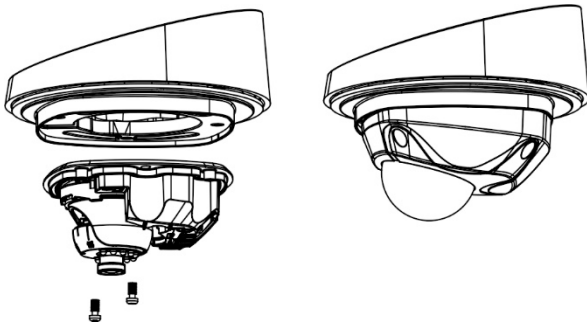
- Remove the bubble assembly, make the proper connections to the camera harness and conceal the cables. Attach the wedge camera to the adapter plate

using the 2 screws that are provided with the wedge camera.

2. Adjust the lens for the correct surveillance angle. Reattach the bubble assembly to the camera.



TVD-BB3 Back Box



TVD-BB3A Angled Back Box

Product documentation

Please consult the following web link to retrieve the electronic version of the product documentation. The manuals are available in several languages.



## Legal information

Copyright	<p>© 2021 Carrier. All rights reserved. Specifications subject to change without prior notice.</p> <p>This document may not be copied in whole or in part or otherwise reproduced without prior written consent from Carrier, except where specifically permitted under US and international copyright law.</p>
Trademarks and patents	<p>TruVision names and logos are a product brand of Aritech, a part of Carrier.</p> <p>Other trade names used in this document may be trademarks or registered trademarks of the manufacturers or vendors of the respective products.</p>
Trademarks and patents	<p>The trade names used in this document may be trademarks or registered trademarks of the manufacturers or vendors of the respective products.</p>
Certification	

## Contact information

Contact information	<p>EMEA: <a href="https://firesecurityproducts.com">https://firesecurityproducts.com</a></p> <p>Australian/New Zealand: <a href="https://firesecurityproducts.com.au/">https://firesecurityproducts.com.au/</a></p>
---------------------	---