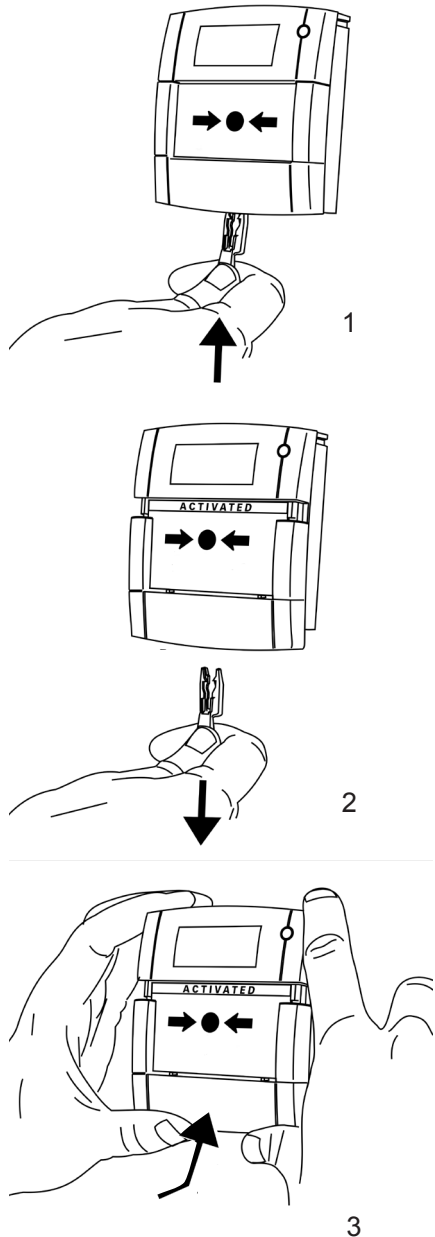
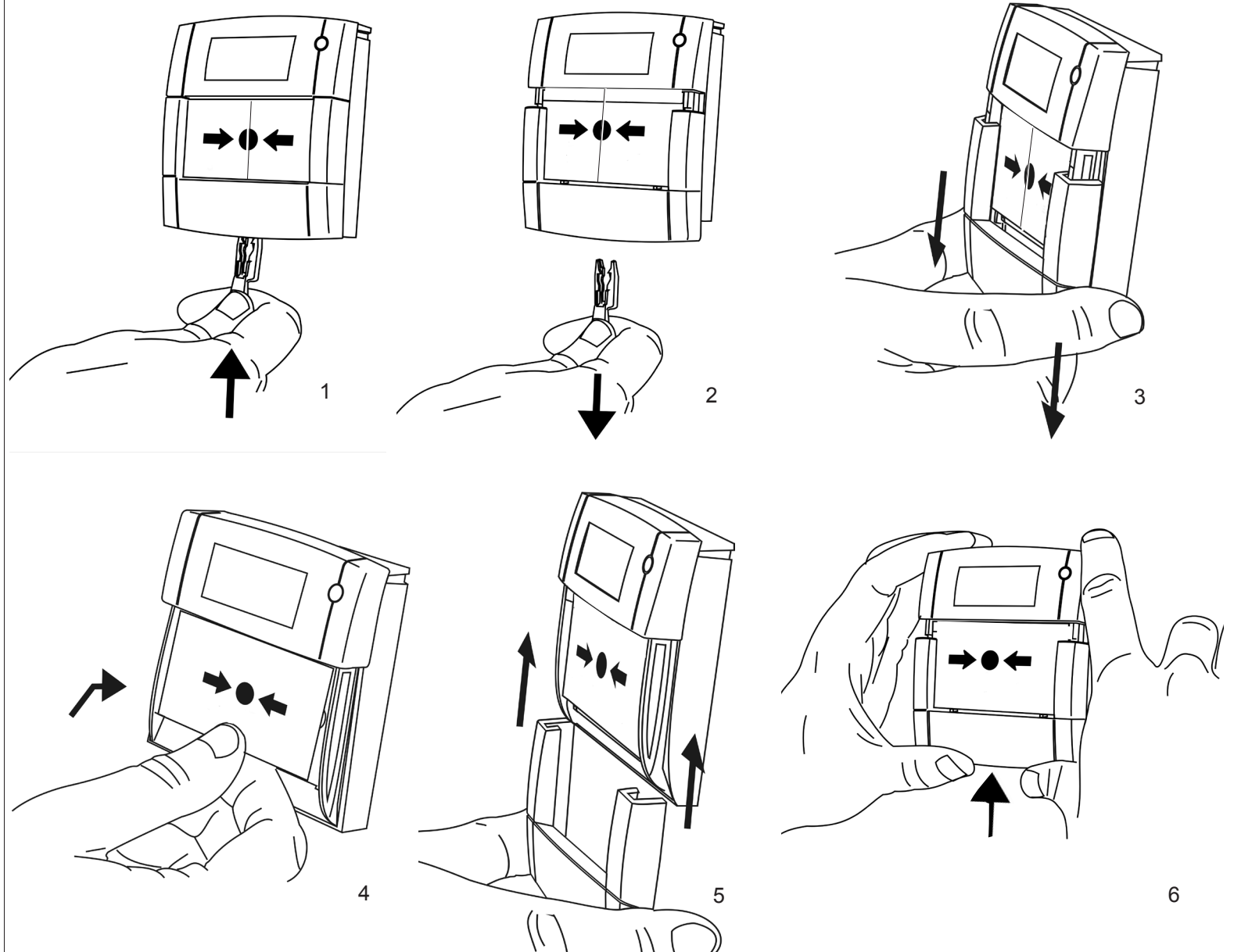


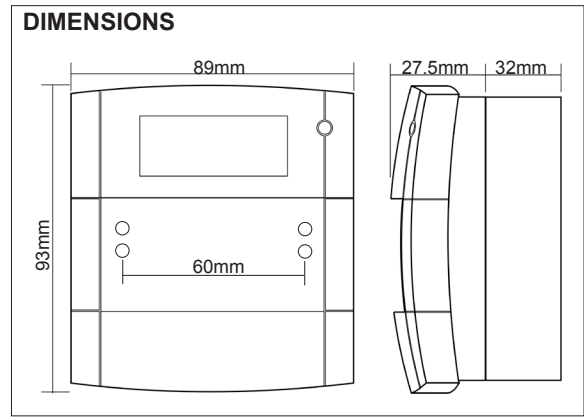
**TO TEST & RESET****TO REPLACE GLASS / INTERCHANGE BETWEEN RESETTABLE AND GLASS ELEMENT**

**(!) IMPORTANT NOTE: After changing the element from Glass to Flexi, please confirm the operation by pressing the resettable element.**

CONNECTION DETAILS	MCP1A-X	MCP1B-X	MCP2A-X	MCP2B-X
OR				

X in the MCP code (left) represents the final digits of the part number, which indicate MCP colour, component values, mounting options and element type.

eg MCP1A -R470SF = (MCP1A, Red, 470R, Surface, Flexible Element).



### PUSH FIT CONNECTOR

After wiring the terminal connector, plug into the appropriate position, see connection details (left).

2831 16

KAC ALARM COMPANY LIMITED,  
Honeywell House, Skimped Hill Lane, Bracknell,  
Berks, RG12 1EB.

DOP001

EN54-11:2001/A1:2005

Fire detection and fire alarm systems - Part 11: Manual call points

MCP1, MCP2, MCP3, MCP4

Note: This table only applies to red products.

### CONNECTION DETAILS MCP3A-X

OR	

### CONNECTION DETAILS MCP4A-X

OR	

### TECHNICAL DATA

	30VDC Max		Red, Ral 3001 Yellow, Ral 1006 Green, Ral 6016 White, Ral 9010 Blue, Ral 5002
	2A Max		<b>Important Notes; -</b> Please do not over tighten fixing screws. The use of lubricants, cleaning solvents or petroleum based products should be avoided.
	IP24D		110/160g
	-10°C to 55°C		