

Eye-Sight

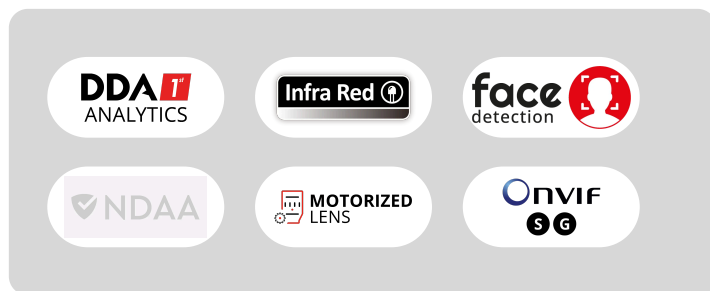
This series is designed for security professionals and offers superior image quality, advanced AI analytics, seamless connectivity, and unparalleled insight and protection, with options and configurations to meet specific needs. The Check Point Quantum IoT Nano and DDA2 Analytics provide detailed attribute analysis and advanced threat prevention.



DAI-320IPE-MVF

40m IR 2MP DDA Analytics Motorized Lens Large Anti-Vandal Dome Camera

Equipped with a 2.8-12mm motorized lens, this 2MP anti vandal camera is designed for medium distance surveillance (up to 40m) in both indoor and outdoor scenarios. Designed to monitor high-security areas (such as banks, hotels or chain stores) and to capture crimes in the act, the camera features vandal-proof IK10 protection, which makes it extremely hard to sabotage. The camera offers broad possibilities for Analytics, from Face Detection all the way to the outstanding DDA Analytics (Detect, Distinguish, Alert) which has the ability to perform object recognition and object counting. With a various of detection rules and triggers, DAI-320IPE-MVF camera will help to put an end to false alarms.



MAIN FEATURES

- DAI-320IPE-MVF 2MP MVF Dome Camera with IR LED and DDA1 Analytics
- Sensor: 1/2.8" CMOS (16:9)
- Resolution: 1920x1080 25/30FPS (2MP)
- Lens: 2.8-12mm MVF with Auto Focus (103°-32°)
- True Day&Night – ICR
- Illumination: 40m (2 High-Power IR LED)
- Compression: H.265+ / H.264+ / H.265 / H.264 / MJPEG
- General Analytics: Camera Tampering
- AI (Object Recognition): DDA Sterile Area, DDA Line Crossing, DDA Object Counting

- AI (Face Detection): 10 Faces per frame
- True WDR (120dB), BLC, HLC, ROI
- SD Card: Event/Schedule Record (Up to 128Gb)
- Alarm in + Alarm out
- Built-in Microphone + Audio input + Audio output
- ONVIF: Profile S/G
- Water Proof: IP67, Vandal Proof: IK10
- Weight: ~890g
- Power: DC12V/~780mA / PoE/~7.4W



<https://provision-isr.com>

SPECIFICATIONS

3rd Party Cyber Protection	
General	N/A
Protection Methods	N/A
NDAA Compliant	
NDAA Compliant	No
Video	
Image Sensor	1/2.8" CMOS (16:9)
Effective Pixels	1920x1080
Electronic Shutter	1/25s ~ 1/100000s
Day & Night	ICR
Min. Illumination	Day: 0.1lux / Night: 0.005lux (@F1.6, AGC On) 0lux with IR on
Audio	
Audio compression	G.711A/G.711U
Communication	Two-Way Audio
Image	
Image Settings	AWB, AGC Adjustable, Exposure Mode (Auto) Sharpness, Saturation, Brightness & Contrast Adjustable
Image Enhancement	True WDR (120dB), BLC, HLC, ROI
Noise Reduction	3D-DNR
Image Orientation	Mirror/Flip, Corridor Mode
Privacy Zone	Yes
Events and Analytics	
Analytics	General Analytics: Camera Tampering AI (Object Recognition): DDA Sterile Area, DDA Line Crossing, DDA Object Counting AI (Face Detection): 10 Faces per frame
Motion Detection	Yes
Compression	

Resolution	2MP / 1MP / D1 (704x576) / QVGA (480x240) / CIF (352x288)
Frame Rate	1-25/30FPS
Video Compression	H.265+/ H.264+ / H.265 / H.264 / MJPEG**
Multi-Stream	Master Stream: 2MP (1920x1080) / 1MP (1280x720) (1~30fps) Sub-Stream: 1MP/QVGA/D1/CIF Third Stream: QVGA/D1/CIF (1~30fps)
Bit Rate	64Kbps ~ 4Mbps@H.265 / 64Kbps ~ 6Mbps@H.264
Encode Mode	VBR/CBR
Image Quality	Five levels under VBR; Free adjustment under CBR

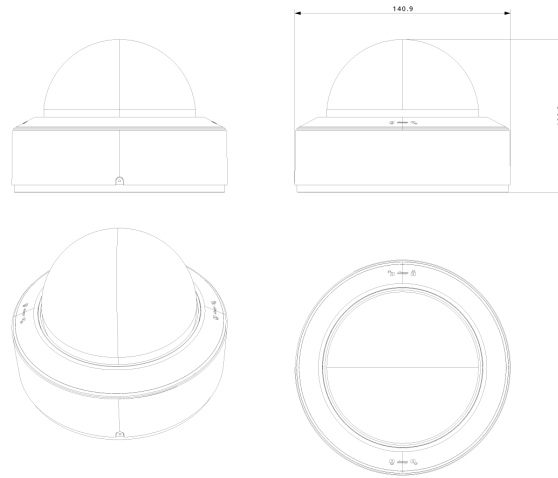
Lens	
Lens (Field of View)	2.8-12mm MVF with Auto Focus (103°-32°)
Iris	DC Iris
Lens Mount	Ø14 Mount

Network	
User Access	Supports simultaneous monitoring for up to 10 users with multi-stream real time transmission
Network Protocol	IPv4, IPv6, TCP, UDP, DHCP, NTP, DDNS, 802.1X, RTSP, Multicast, UPnP, Email, FTP, HTTPS, QoS, P2P
Remote Monitoring	IE Browsing, VMS Software, Provision Cam2 Mobile App
Ethernet	100Mbps
ONVIF	Profile S/G

Connectivity	
Network	RJ45 (+PoE)
Audio Connectivity	Built-in Microphone + Audio input + Audio output
Alarm	Alarm in + Alarm out
SD Card	Event/Schedule based Main/Substream recording (Up to 128Gb)
Wiegand	No

Power	DC Socket
Analog Video Output	CVBS out + Technician Port
Housing	
PoE	Yes
Illumination	40m (2 High-Power IR LED)
Power Supply	DC12V/~780mA / PoE/~7.4W
Protection Rate	Water Proof: IP67, Vandal Proof: IK10
Work Environment	-30°C~60°C, 10%~90% Humidity
Bracket	3-Axis Bracket
Dimensions	Ø140.9x100.3mm
Weight (gross)	~890g
Hard Reset Button	Yes

DIMENSIONS



ACCESSORIES

