

BSV-320AR-36

2MP 24/7 Full-Color Fixed Lens Small Bullet Camera

The rainbow camera series is equipped with super light-sensitive sensors that allow the camera to provide a color image throughout the day. When the ambient light is insufficient, the camera will turn on the integral lighting, allowing it to continue providing a full-color image. Featuring 4in1 technology, the camera is ideal for Plug & Play over existing analog infrastructure. With its outstanding performance, reliability, and affordable price, the BSV-320AR-36 camera is the perfect solution for basic installations.



BLC	HLC	CCC Control over coax	2D-DNR	Build-In Mic
White LED	WDR True	3.6 mm Lens	IP67 Protection rating	20m IR IR View 0 Lux

4 IN 1	BUILT-IN MICROPHONE
FIXED LENS	rainbow COLOR NIGHT VISION

MAIN FEATURES

- BSV-320AR-36 2MP 24/7 Full-Color Fixed Lens Small Bullet Camera
- Sensor: 1/2.8" 5MP CMOS Sensor
- Selectable Output: 2MP: 1920x1080 AHD/TVI/CVI 1MP: 1280x720 AHD/TVI/CVI CVBS: 1000TVL
- Lens: 3.6mm Mega-Pixel Fixed (85°)
- 24/7 Full-Color Day Mode
- Digital WDR
- 2D-DNR/Digital WDR/HLC/BLC
- Illumination: 20m (2 High-Power White LED)
- IP67
- Weight: ~480g
- Power: DC12V/300mA



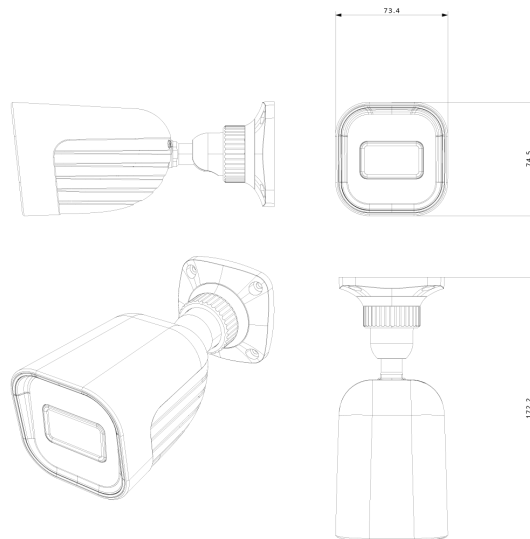
<https://provision-isr.com>

SPECIFICATIONS

Video	
Image Sensor	1/2.8" 5MP CMOS Sensor
Image Format	16:9
Effective Pixels	1920 x 1080
Scanning System	Progressive
Min. Illumination	0 lux with LED
Day & Night	24/7 Full-Color Day Mode
Day & Night Modes	24/7 Full-Color Day Mode only
Compression	
Resolution	2MP: 1920x1080 AHD/TVI/CVI 1MP: 1280x720 AHD/TVI/CVI CVBS: 1000TVL
Frame Rate	25/30FPS
Image	
Backlight Compensation	BLC/HLC
S/N Ratio	≥52dB (AGC off)
Privacy Zone	no
Noise Reduction	2D-DNR
Image Enhancement	Digital WDR, BLC, HLC
On Screen Data	
CoC Support	Yes
OSD Menu	Available via CoC only
Lens	
Field of View	3.6mm Mega-Pixel Fixed (85°)
Iris	Fixed Iris
Lens Mount	M12 Mount

Connectivity	
Video Output	2MP / 1MP (Selected by OSD Menu) AHD/TVI/CVI/CVBS + PAL/NTSC
Audio Connectivity	Built-in Microphone
Housing	
Illumination	20m (2 High-Power White LED)
Bracket	3-Axis Bracket
Protection Rate	IP67
Dimensions	172.2*73.4*74.5mm
Weight (gross)	~480g
Power	DC12V/300mA
Work Environment	-30°C ~ 50°C , 10% ~ 90% humidity

DIMENSIONS



ACCESSORIES

