

AY-W6x60 Family

MIFARE® Contactless Smart Card / Sector Readers

Installation and Programming Manual

Models:

AY-W6260

AY-W6360



AY-W6260



AY-W6360

ROSSLARE
SECURITY PRODUCTS

Copyright © 2014 by Rosslare. All rights reserved.

This manual and the information contained herein are proprietary to ROSSLARE ENTERPRISES LIMITED and/or its related companies and/or subsidiaries' (hereafter: "ROSSLARE"). Only ROSSLARE and its customers have the right to use the information.

No part of this manual may be re-produced or transmitted in any form or by any means, electronic or mechanical, for any purpose, without the express written permission of ROSSLARE.

ROSSLARE owns patents and patent applications, trademarks, copyrights, or other intellectual property rights covering the subject matter in this manual.

TEXTS, IMAGES, AND ILLUSTRATIONS INCLUDING THEIR ARRANGEMENT IN THIS DOCUMENT ARE SUBJECT TO THE PROTECTION OF COPYRIGHT LAWS AND OTHER LEGAL RIGHTS WORLDWIDE. THEIR USE, REPRODUCTION, AND TRANSMITTAL TO THIRD PARTIES WITHOUT EXPRESS WRITTEN PERMISSION MAY RESULT IN LEGAL PROCEEDINGS.

The furnishing of this manual to any party does not give that party or any third party any license to these patents, trademarks, copyrights or other intellectual property rights, except as expressly provided in any written agreement of ROSSLARE.

ROSSLARE reserves the right to revise and change this document at any time, without being obliged to announce such revisions or changes beforehand or after the fact.

Table of Contents

1. Introduction	8
1.1 Main Features	8
1.2 Supported RFID Transponders	9
1.3 Box Content	9
2. Technical Specifications	10
3. Installation	12
3.1 Mounting Instructions	12
3.2 Wiring Instructions	13
4. Configuring the Reader	16
4.1 Operation Modes	16
4.2 Configuration Card Structure	17
4.3 Configuring Settings	17
4.4 Configuration Procedure	17
5. How to Use the Reader	19
5.1 Normal Operation	19
5.1.1 Card Serial Number Mode	19
5.1.2 Secure Mode	19
5.2 Manual LED and Buzzer Control	20
5.3 Optical Back Tamper	20
6. Keypad Operation Instructions (AY-W6360)	22
6.1 Transmit Mode	22
6.2 Programming Menu	22
6.3 Entering Programming Mode	24
6.4 Exiting Programming Mode	24

Table of Contents

6.5	Selecting Keypad Transmission Format	25
6.6	Keypad Transmission Format Option Number	26
6.6.1	Single Key, Wiegand 6-Bit (Rosslare Format).....	26
6.6.2	Single Key, Wiegand 6-Bit, Nibble & Parities	27
6.6.3	Single Key, Wiegand 8-Bit, Nibbles Complemented	27
6.6.4	4 Keys Binary + Facility Code, Wiegand 26-Bit	27
6.6.5	1 to 5 Keys + Facility Code, Wiegand 26-Bit	28
6.6.6	6 Keys BCD and Parity Bits, Wiegand 26-Bit.....	29
6.6.7	1 to 8 Keys BCD, Clock & Data	29
6.6.8	Single Key, Wiegand 4-Bit	30
6.7	Selecting Proximity Card Transmission Format.....	30
6.8	Card Transmission Format Option Number	31
6.8.1	Wiegand 26-Bit	31
6.8.2	Clock and Data	32
6.8.3	Wiegand 26-Bit and Facility Code	32
6.8.4	Wiegand 32-Bit	32
6.8.5	Wiegand 32-Bit Reversed.....	33
6.8.6	Wiegand 34-Bit	33
6.8.7	Wiegand 40-Bit and Checksum	33
6.9	Changing the Programming Code.....	34
6.10	Changing the Facility Code	34
6.11	Setting the Backlight	35
6.12	Return to Factory Default Settings.....	36
6.13	Replacing a lost Programming Code.....	36
A.	Limited Warranty	37

List of Figures

Figure 1: Back Plate	12
Figure 2: Connecting the Reader to an Access Control System	14

List of Tables

Table 1: Wiring Colors.....	14
Table 2: Keypad Transmission Formats	26

Notice and Disclaimer

This manual's sole purpose is to assist installers and/or users in the safe and efficient installation and usage of the system and/or product, and/or software described herein.

BEFORE ATTEMPTING TO INSTALL AND/OR USE THE SYSTEM, THE INSTALLER AND THE USER MUST READ THIS MANUAL AND BECOME FAMILIAR WITH ALL SAFETY REQUIREMENTS AND OPERATING PROCEDURES.

- The system must not be used for purposes other than those for which it was designed.
- The use of the software associated with the system and/or product, if applicable, is subject to the terms of the license provided as part of the purchase documents.
- ROSSLARE exclusive warranty and liability is limited to the warranty and liability statement provided in an appendix at the end of this document.
- This manual describes the maximum configuration of the system with the maximum number of functions, including future options. Therefore, not all functions described in this manual may be available in the specific system and/or product configuration you purchased.
- Incorrect operation or installation, or failure of the user to effectively maintain the system, relieves the manufacturer (and seller) from all or any responsibility for consequent noncompliance, damage, or injury.
- The text, images and graphics contained in the manual are for the purpose of illustration and reference only.
- All data contained herein subject to change without prior notice.
- In no event shall manufacturer be liable for any special, direct, indirect, incidental, consequential, exemplary or punitive damages (including, without limitation, any and all damages from business interruption, loss of profits or revenue, cost of capital or loss of use of any property or capital or injury).
- All graphics in this manual are for reference only, some deviation between the image(s) and the actual product may occur.
- All wiring diagrams are intended for reference only, the photograph or graphic of the PCB(s) are intended for clearer illustration and understanding of the product and may differ from the actual PCB(s).

1. Introduction

The AY-W6260 and AY-W6360 are contactless smart card sector readers for use in access control system solutions.

The readers scan information from a MIFARE® smart card, stored in a specific and protected sector, and send the data on to a connected access control system.

The system reads MIFARE 1K and MIFARE 4K card sector data, as well as the unique ID number of the following cards: MIFARE 1K, MIFARE 4K, MIFARE Ultralight, and MIFARE® DESFire®. The readers transmit the identification numbers they receive to an access control system.

The readers can also check the validity of cards before scanning them. When checking, readers only send card information to the access control system from cards with the correct security pass code. The readers are suitable for both indoor and outdoor installations.

Reader setup and operation is controlled using a Configuration card to adjust settings directly, without having to connect a remote computer or remove the unit. The Configuration card is a regular MIFARE 1K card, which can be pre-programmed using Rosslare's CP-R25 (or CP-R26) desktop MIFARE programmer, together with its associated software the AS-B01.

The AY-W6260 and AY-W6360 readers are compatible with almost all access controllers, including Rosslare's state-of-the-art AC-115, AC-215, AC-225 and AC-525 controllers.

1.1 Main Features

The AY-W6260 and AY-W6360 are fully-featured smart card proximity readers, ideal for all access control, intrusion, and time and attendance applications.

- Reads MIFARE ISO14443 Type A Standard cards with two operation modes: Secure mode or Card Serial Number (CSN) mode
- Pre-validation of smart cards by secure pass code

- Configure readers directly and easily using Configuration and Master smart cards
- Suitable for indoor and outdoor use (fully-potted and IP65 compliant)
- Built-in anti-tampering security system
- Multiple, programmable card transmission formats
- Dedicated LED and buzzer control input
- 3x4 keypad for programming and PIN codes (AY-W6360)
- Multiple keypad transmit formats (AY-W6360)
- Programmable keypad backlight (AY-W6360)

1.2 Supported RFID Transponders

The following transponders can be read by the AY-W6260 and AY-W6360:

- MIFARE Ultralight (card serial number only)
- MIFARE Classic 1K
- MIFARE 4K
- MIFARE DESFire (card serial number only)

1.3 Box Content

- One AY-W6x60 reader
- Installation and Programming Manual
- Installation kit including:
 - One self-adhesive drilling template
 - One security spline key
 - One security hex key
 - Two mounting screws
 - Two wall plugs

2. Technical Specifications

Electrical Characteristics

Input Voltage	5 to 16 VDC
Absolute Maximum Voltage (non-operating)	18 VDC
Input Current @ 12V	AY-W6260: Standby: 110 mA, Read: 165 mA
	AY-W6360: Standby: 180 mA, Read: 235 mA
LED/Buzzer Control Input	Dry Contact, N.O.
Tamper Output	Open collector, active low, 30 mA maximum sink current

Operational Characteristics

Maximum Cable Distance to Controller	150 m (500 ft) with an 18-AWG cable
Proximity Read Range*	50 mm (2 in.)
Operating Frequency	13.56 MHz
Transmission Formats	Wiegand and Clock & Data
Transfer Bit Rate	106 kbits per second
Output Indicators	<ul style="list-style-type: none">• One tri-colored LED• Buzzer
Card Compatibility	MIFARE and all ISO14443A-3 cards
Card Transmit Formats	Programmable
Keypad Transmit Formats	AY-Q6260: N/A
	AY-Q6360: User programmable

* Measured using a Rosslare proximity card or equivalent. Range also depends on electrical environment and proximity to metal.

Environmental Characteristics

Operating Temp. Range	-31°C to 63°C (-25°F to 145° F)
Operating Humidity Range	0 to 95% (non-condensing)
Operating Environment	Suitable for outdoor use (IP65 compliant), water resistant

Dimensions

Height x Width x Depth	125 x 83 x 29.5 mm (4.9 x 3.3 x 1.2 in.)
Weight	230 g (8.1 oz)

3. Installation



Installation of an RFID reader adjacent to metallic surfaces might alter the reader's specifications. To diminish this interference, use a plastic spacer when mounting the reader.

The AY-W6260 and AY-W6360 packs include everything needed to install and operate the smart card sector readers. Mount the reader on the required surface and connect it to the access control system.

3.1 Mounting Instructions

Attach the reader to a surface before connecting it to its power and the access control computer.

To mount the reader on a surface:

1. Remove the reader's front cover using the security spline key.
The screw holes on the back plate are now visible.
2. Select an approximate location for the reader.
3. Peel off the back of the self-adhesive installation template and attach the template to the required location.
4. Using the template as a guide, drill four holes into the surface.
The required hole size is marked on the template (Figure 1).

Figure 1: Back Plate



- Drill an additional 10-mm ($7/16$ ") hole for the cable.
When installing the reader on a metallic surface, cover the inside of the hole with a grommet or electrical tape.
- Route the reader's cable to the power and access control system.
A regulated linear power supply is recommended.
- Screw the back plate into the surface. Ensure the screws are the size specified on the installation template.
- Alternatively, the reader can be mounted with any strong epoxy glue:
 - Apply the glue.
 - Hold the reader's back plate firmly in place until the glue dries.
- Re-attach the reader's front cover.

3.2 Wiring Instructions

The AY-W6260 and AY-W6360 use a 46-cm (18") pigtail controller cable, consisting of 10 wires to connect to the access control system and for power.

Individual wires are color coded according the Wiegand standard.



Note

The reader's power supply must either share the access controller's power supply or a common ground with the access control system.

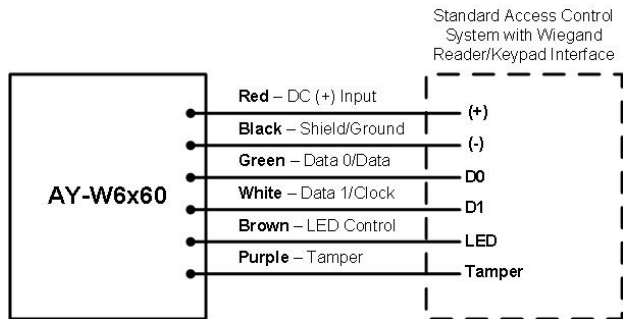
To connect the reader to the controller:

- Remove 32 mm (1¼") of the reader cable's insulation jacket.
- Strip 13 mm (½") of the insulation from the wires.
- Splice the reader's pigtail wires to the corresponding input wires for the access control system, as listed in Table 1 and Figure 2.

Table 1: Wiring Colors

Color	Function
Red	DC+ Input
Black	Ground
White	Data 1 /Clock
Green	Data 0 / Data
Brown	LED/Buzzer Control
Purple	Tamper
Orange	Factory Use
Yellow	N/A
Blue	Factory Use
Gray	Factory Use

Figure 2: Connecting the Reader to an Access Control System



4. Cover the spliced joints with insulating tape and then trim and cover all unused connectors.



Note

To shield the cable from external interference, attach it to one of the following:

- The same earth ground as the access control system
- The signal ground connection at the panel
- The power supply end of the cable

4. Configuring the Reader

To provide the highest level of security, the reader is programmed to validate only MIFARE cards whose settings correspond to the Master card that is used to prepare the reader for configuration. Then, a Configuration card is used to configure the settings.

Configuration and Master cards make it possible to set up and adjust a reader's settings directly, without connecting a remote computer and without removing the unit from its place.

Rosslare's CP-R25 (or CP-R26) desktop MIFARE card programmer together with its associated software AS-B01 must be used to set up configuration cards.

4.1 Operation Modes

The reader operates in two modes:

- **Card Serial Number Mode**

The reader scans the presented card and sends each card's serial number to the access control system. This card serial number is unique for each card. In this mode, keypad programming is enabled and can be used to program some reader settings.



Note

In some circumstances, not all serial number digits are transmitted. This depends on selected reader transmit format and on card type being read.

- **Secure Mode**

The reader only scans cards with a valid pass code (predefined key of the MIFARE card). When a user card has the correct pass code, the reader then scans a specified location on the card for an identification number and sends this information to the access control system. A card with the wrong pass code is not transmitted.

The reader's operation mode is controlled by a configuration setting stored on the Configuration card. All access information and locations for Secure mode operations are also controlled by configuration settings. In this mode, programming the reader via the keypad is not possible.

By default, the reader operates in **Card Serial Number** mode.



Note

In this mode, only MIFARE 1K and MIFARE 4K cards are supported. MIFARE Ultralight and DESFire cards are non functional.

4.2 Configuration Card Structure

MIFARE smart cards are split into multiple sectors (on a Mifare 1K card, for example). Each sector contains 4 blocks of 16 bytes each. The information on how to program and configure readers is stored in sector zero of the Configuration card.

Refer to the CP-R25 (or CP-R26) and AS-B01 manual for further configuration options and descriptions.

4.3 Configuring Settings

The Configuration card stores a variety of preference settings to apply to readers. Settings are stored in sector zero of the card.

4.4 Configuration Procedure

It is recommended to configure the reader one time only, following installation and on its initial use. However, if needed, configuring the reader can be done anytime using the same procedure described below.

To configure the reader:

1. Present the Master card.

A short beep is generated and the reader LED is orange as the reader goes into Configuration mode.

2. Within 30 seconds (while the reader is still in Configuration mode), present a valid Configuration card to the reader.

Configuring the Reader

If the configuration is valid, three short beeps are emitted and the reader LED turns red.

If configuration fails (due to a bad Configuration card), three long beeps are generated and the reader exits Configuration mode.

If the reader has been previously been configured, then following a failed configuration, the reader returns to Standby mode and continues to work with its previous configuration settings.

5. How to Use the Reader

After the reader has been mounted, connected to an access control system and configured, it is ready for use.

5.1 Normal Operation

Turn on the reader. The LED turns red. If the reader has not yet been configured, the reader can only read the CSN. However, you must still configure the card for additional configurations (see Section 4.4).

5.1.1 Card Serial Number Mode

In this mode, presentation of an access card results in the transmission of the card's factory programmed serial number. A short beep is emitted and the LED momentarily turns green, and then returns to red.



If the card serial number is not fully transmitted, only the LSB portion of the serial number is transmitted. This depends on the reader transmit format of the selected reader and the length of the card serial number. For example, when the Wiegand 26-bit transmit format is selected; the MSB byte of the MIFARE 1K card's serial number is not transmitted.

5.1.2 Secure Mode

In this mode, the reader attempts to read data programmed in the user card sector memory. If the reader's Pass Code A is identical to the card's Key A and access conditions are valid, the reader transmits the data, emits a short beep, and momentarily turns the LED to green and then back to red.

If the reader fails to read the programmed data, it emits a long beep to indicate that an error has occurred. This error may either be the result of the wrong Pass Code A or the wrong access conditions. This mode is intended to support MIFARE 1K and MIFARE 4K cards only.

5.2 Manual LED and Buzzer Control

LED and buzzer behavior depend upon the reader firmware. For example, three beeps on reset and successful configuration, or one short beep and a flashing LED upon card transmission. However, it is possible that the host control panel, to which the reader is connected, may control the LED, the buzzer, or both. This depends upon manipulation of the LED/buzzer control input, and only if these options are enabled by the reader configurations.

These settings can be overridden using the brown LED/buzzer control wire:

- LED/buzzer control wire is left open:
 - LED and buzzer behave naturally, on the basis of firmware preferences.
- LED/buzzer control wire is connected to ground:
 - If the LED control is enabled, the LED turns green.
 - If the Buzzer control is enabled, the buzzer continuously buzzes.
 - If both LED and buzzer control are enabled, the led turns green and buzzer contentiously operated.

Use the LED/buzzer control wire to determine the behavior of the LED and buzzer directly from the access control software.



Note

LED and buzzer control function can be only programmed by configuration card. They cannot be programmed using the reader keypad.

5.3 Optical Back Tamper

The AY-W6260 and AY-W6360 includes an optical back tampering mechanism which detects all attempts to dismantle the unit or remove it from the wall.

The status of the tamper mechanism is indicated by the purple Tamper control wire.

When the back tamper optical sensor is in "darkness" status, the internal tamper output transistor is pulled to low.

When the back tamper optical sensor is in its "lit" status, the internal tamper output transistor's collector is open. A tamper signal is detected by the host control panel.

6. Keypad Operation Instructions (AY-W6360)

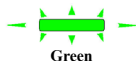
6.1 Transmit Mode

When the AY-W6360 is in Transmit mode, it is ready to read MIFARE CSN or entered PIN code data.

When the reader is in Transmit mode, the Transmit LED is red.



When a card or PIN entry is being transmitted, the Transmit LED flashes green.



Keyboard data can be sent via one of several different Keypad Transmission Formats. Refer to Section 6.6 for more information.

MIFARE cards presented to the reader are always sent in Wiegand or Clock & Data format. Refer to Section 6.7 for more information.

6.2 Programming Menu

Various reader options can be programmed using the reader keypad, but not all of them.

Keypad programming is only enabled when the reader is in Card Serial Number mode.

Once in Secure mode, keypad programming is disabled.

Default Factory Settings in the following table are marked by an asterisk (*).

	Menu Description	Default
1	Selecting Keypad Transmission Format 1 – Single Key, Wiegand 6-Bit (Rosslare Format, Default) 2 – Single Key, Wiegand 6-Bit with Nibble + Parity Bits 3 – Single Key, Wiegand 8-Bit, Nibbles Complemented 4 – 4 Keys Binary + Facility Code, Wiegand 26-Bit 5 – 1 to 5 Keys + Facility Code, Wiegand 26-Bit 6 – 6 Keys BCD and Parity Bits, Wiegand 26-Bit 8 – 1 to 8 Keys BCD, Clock & Data Single Key	*
2	Selecting MIFARE Card Transmission Format 1 – Wiegand 26-Bit (default) 2 – Clock & Data 4 – Wiegand 26 bit with facility code output 5 – Wiegand 32-Bit 6 – Wiegand 32-Bit reverse output 7 – Wiegand 34-Bit 8 – Wiegand 40-Bit	*
3	Changing the Programming Code	1234
4	Changing the Facility Code	001
6	Backlight Options Off On (default) Off until key press when on for 10 seconds Dimmed until key press when on for 10 seconds	*
0	Return to Factory Default Settings	



Reader settings are affected by both keypad programming and configuration card settings. Note that settings are preset by the last operation, either configuration card or keypad programming.

6.3 Entering Programming Mode

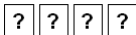
To enter Programming mode:

1. Press # four times.

The Transmit LED flashes orange.



2. Enter your Programming code.
3. If the Programming code is valid, the program LED turns orange and the AY-W6360 enters Programming mode.



Note

- The factory default Programming code is 1234.
- If a Programming code is not entered within 30 seconds, the AY-W6360 returns to Transmit mode.

6.4 Exiting Programming Mode

To exit Programming mode:

1. Press #.

You hear a long beep and the Transmit LED turns red.



This indicates that the AY-W6360 has returned to Transmit mode.

While in Programming mode, if no key is pressed for 30 seconds, the AY-W6360 exits Programming mode and returns to Transmit mode.

Wrong entries may reset the reader back to Transmit mode.

6.5 Selecting Keypad Transmission Format

The AY-W6360 has eight different keypad transmission selectable formats (see Section 6.6 for more information).

To select the keypad transmission format:

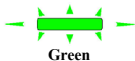
1. Enter Programming mode.



2. Press **1** to enter Menu 1.



The Transmit LED flashes green.



3. Enter the appropriate option number for the keypad transmission format that you wish.



When selecting Option 8, the Program LED turns solid green and awaits additional key input selecting the number of keys.



You hear three beeps.



The system returns to Transmit mode.

If an incorrect option number is entered, a long beep is sounded, the reader returns to Transmit mode and the keypad transmission format remains unchanged.



Only one keypad transmission format can be active at any one time.

6.6 Keypad Transmission Format Option Number

See Table 2 to determine the option number for the Keypad Transmission Format you wish to select.

Table 2: Keypad Transmission Formats

Keypad Transmission Format	Option Number
Single Key, Wiegand 6-Bit (Rosslare Format)	1*
Single Key, Wiegand 6-Bit with Nibble + Parity Bits	2
Single Key, Wiegand 8-Bit, Nibbles Complemented	3
4 Keys Binary + Facility Code, Wiegand 26-Bit	4
1 to 5 Keys + Facility Code, Wiegand 26-Bit	5
6 Keys BCD and Parity Bits, Wiegand 26-Bit	6
1 to 8 Keys BCD, Clock & Data Single Key	8
Single Key, Wiegand 4-Bit	9

* Option 1 is the default factory setting.

More information on each of the different keypad transmission formats is available below and on the following pages.

6.6.1 Single Key, Wiegand 6-Bit (Rosslare Format)

Each key press immediately sends 4 bits with 2 parity bits added – even parity for the first 3 bits and odd parity for the last 3 bits.

0 = 1 1010 0 6 = 1 0110 0

1 = 0 0001 0 7 = 1 0111 1

2 = 0 0010 0 8 = 1 1000 1

3 = 0 0011 1 9 = 1 1001 0

4 = 1 0100 1 * = 1 1011 1 = "B" in Hexadecimal

5 = 1 0101 0 # = 0 1100 1 = "C" in Hexadecimal

6.6.2 Single Key, Wiegand 6-Bit, Nibble & Parities

Each key press immediately sends 4 bits with 2 parity bits added – even parity for the first 3 bits and odd parity for the last 3 bits.

0 = 0 0000 1	6 = 1 0110 0
1 = 0 0001 0	7 = 1 0111 1
2 = 0 0010 0	8 = 1 1000 1
3 = 0 0011 1	9 = 1 1001 0
4 = 1 0100 1	* = 1 1010 0 = "A" in Hexadecimal
5 = 1 0101 0	# = 1 1011 1 = "B" in Hexadecimal

6.6.3 Single Key, Wiegand 8-Bit, Nibbles Complemented

This options inverts the most significant bits in the message leaving the least 4 significant bits as BCD representation of the key. The host system receives an 8-bit message.

0 = 11110000	6 = 10010110
1 = 11100001	7 = 10000111
2 = 11010010	8 = 01111000
3 = 11000011	9 = 01101001
4 = 10110100	* = 01011010 = "A" in Hexadecimal
5 = 10100101	# = 01001011 = "B" in Hexadecimal

6.6.4 4 Keys Binary + Facility Code, Wiegand 26-Bit

This option buffers 4 keys and outputs keypad data with a 3-digit facility code like a standard 26-bit card output.

The Facility code is set in Programming Menu 4 four and can be in the range 000 to 255. The factory default setting for the facility code is 001 (see Section 6.10 for more information).

The keypad PIN code must be 4 digits in length and can range between 0000 and 9999. On the fourth key press of the 4-digit PIN code, the data is sent across the Wiegand Data lines as binary data in the same format as a 26-Bit card.

If * or # is pressed during PIN code entry, the keypad clears the PIN code entry buffer, generates a beep and is ready to receive a new 4-digit keypad PIN code.

If the entry of the 4-digit keypad PIN code is disrupted and no number key is pressed within 5 seconds, the keypad clears the PIN code entry buffer, generates a beep and is ready to receive a new 4-digit keypad PIN code.

(EP) FFFF FFFF AAAA AAAA AAAA AAAA (OP)

Where: EP = Even parity for first 12 bits

OP = Odd parity for last 12 bits

F = 8-Bit Facility code

A = 24-Bit code generated from keyboard

6.6.5 1 to 5 Keys + Facility Code, Wiegand 26-Bit

This option buffers up to 5 keys and outputs keypad data with a facility code like a 26-Bit card output.

The Facility code is set in Programming Menu 4 and can be in the range 000 to 255. The factory default setting for the facility code is 001 (see Section 6.10 for more information).

The keypad PIN code can be one to five digits in length and can range between 0 and 65,535. When entering a keypad PIN code that is less than 5 digits in length, # must be pressed to signify the end of PIN code entry. For keypad PIN codes that are 5 digits in length, on the fifth key press of the 5-digit PIN code, the data is sent across the Wiegand Data lines as binary data in the same format as a 26-bit card.

If * is pressed during PIN code entry or a PIN code greater than 65,535 is entered, the keypad clears the PIN code entry buffer, generates a beep and is ready to receive a new 4-digit keypad PIN code.

If the entry of the 1- to 5-digit keypad PIN code is disrupted and no number key is pressed within 5 seconds, the keypad clears the PIN code entry buffer, generates a medium length beep and is ready to receive a new 1- to 5-digit keypad PIN code.

(EP) FFFF FFFF AAAA AAAA AAAA AAAA (OP)

Where: EP = Even parity for first 12 bits

OP = Odd parity for last 12 bits

F = 8-Bit Facility code

A = 24-Bit code generated from keyboard

6.6.6 6 Keys BCD and Parity Bits, Wiegand 26-Bit

This option sends a buffer of 6 keys, adds parity, and sends a 26-Bit BCD message. Each key is a four bit equivalent of the decimal number.

The keypad PIN code must be 6 key presses long. On the sixth key press of the 6-digit PIN code, (# and * are valid), the data is sent across the Wiegand Data lines as a BCD message.

If the entry of the 6-digit keypad PIN code is disrupted and no number key is pressed within 5 seconds, the keypad clears the PIN code entry buffer, generates a medium length beep and is ready to receive a new 6-digit keypad PIN code.

(EP) AAAA BBBB CCCC DDDD EEEE FFFF (OP)

Where:

A = The first key entered

D = Fourth key entered

B = Second key entered

E = Fifth key entered

C = Third key entered

F = Sixth key entered

6.6.7 1 to 8 Keys BCD, Clock & Data

This option buffers up to 8 keys and outputs keypad data, much like standard Clock and Data card output.

The keypad PIN code can be one to eight digits in length. The PIN code length is selected while programming the reader for Option 8. The reader transmits the data when it receives the last key press of the PIN code. The data is sent across the two data output lines as binary data in Clock & Data format.

If * or # is pressed during PIN code entry, the keypad clears the PIN code entry buffer, generates a beep, and is ready to receive a new keypad PIN code.

If the entry of the digit keypad PIN code is disrupted and a number key or # is not pressed within 5 seconds, the keypad clears the PIN code entry buffer, generates a medium length beep and is ready to receive a new keypad PIN code.

6.6.8 Single Key, Wiegand 4-Bit

Each key press immediately sends 4 bits data, no parity bits added.

0 = 0000	6 = 0110
1 = 0001	7 = 0111
2 = 0010	8 = 1000
3 = 0011	9 = 1001
4 = 0100	* = 1010 = "A" in Hexadecimal
5 = 0101	# = 1011 = "B" in Hexadecimal

6.7 Selecting Proximity Card Transmission Format

To select the proximity card transmission format:

1. Enter Programming mode.



2. Press **2** to enter Menu 2.



The Transmit LED flashes green.



3. Enter the appropriate option number for the card transmission format you want.

You hear three beeps.



The system returns to Transmit mode.

If an incorrect option number is entered, the reader returns to Transmit mode and the keypad transmission format remains unchanged.

6.8 Card Transmission Format Option Number

Keypad Transmission Format	Option Number
Wiegand 26-Bit (default)	1
Clock & Data	2
Wiegand 26-Bit with Facility code output	4
Wiegand 32-Bit	5
Wiegand 32-Bit reverse output	6
Wiegand 34-Bit	7
Wiegand 40-Bit	8

6.8.1 Wiegand 26-Bit

In this mode, 3 bytes of card serial number are transmitted in Wiegand 26-Bit format. Two parity bits are added. An even parity bit is sent first, followed by three bytes card data than followed by odd parity bit.



The fourth byte of the cards serial number is not transmitted.

Note

(EP) AAAA AAAA AAAA AAAA AAAA AAAA (OP)

Where: EP = Even parity for first 12 bits
 OP = Odd parity for last 12 bits
 A = 3 bytes code generated from card data

6.8.2 Clock and Data

In this mode, 4 bytes of card serial number are transmitted in Clock&Data format.

6.8.3 Wiegand 26-Bit and Facility Code

In this mode, 1 byte Facility code followed by 2 bytes of the card's serial number are transmitted in Wiegand 26-Bit format. Two parity bits are added. An even parity bit is sent first, followed by one facility code byte then followed by two bytes card serial number ending with an odd parity bit.

(EP) FFFF FFFF AAAA AAAA AAAA AAAA (OP)

Where: EP = Even parity for first 12 bits
OP = Odd parity for last 12 bits
F = 1 byte Facility code
A = 2 bytes code generated from card serial number.



The third and fourth bytes of the cards serial number is not transmitted.

Note

6.8.4 Wiegand 32-Bit

In this mode, 4 bytes of card serial number are transmitted in Wiegand 32-bit format. No parity bits are added.

AAAA AAAA BBBB BBBB CCCC CCCC DDDD DDDD

Where: A = 4th (MSB) byte of card serial number
B = 3rd byte of card serial number
C = 2nd byte of card serial number
D = 1st (LSB) byte of card serial number

6.8.5 Wiegand 32-Bit Reversed

In this mode, 4 bytes of card serial number are transmitted in Wiegand 32-Bit format. Bytes are sent in reversed order. LSB part of card serial number is sent first and MSB byte is sent last. No parity bits are added.

DDDD DDDD BBBB BBBB CCCC CCCC AAAA AAAA

Where: D = 1st (LSB) byte of card serial number
 C = 2nd byte of card serial number
 B = 3rd byte of card serial number
 A = 4th (MSB) byte of card serial number

6.8.6 Wiegand 34-Bit

In this mode, 4 bytes of card serial number are transmitted in Wiegand 34-bit format. Bytes are sent in reversed order. LSB part of card serial number is sent first and MSB byte is sent last. An even parity is sent first, followed by 32 bits data followed by odd parity bit.

(EP) AAAA AAAA BBBB BBBB CCCC CCCC DDDD DDDD (OP)

Where: EP = Even parity for first 16 data bits
 OP = Odd parity for last 16 data bits
 A = 4th (MSB) byte of card serial number
 B = 3rd byte of card serial number
 C = 2nd byte of card serial number
 D = 1st (LSB) byte of card serial number

6.8.7 Wiegand 40-Bit and Checksum

In this mode, 4 bytes of card serial number are transmitted in Wiegand 40-Bit format. Bytes are sent in reversed order. LSB part of card serial number is sent first. Last byte sent is Checksum byte generated by adding 4 data bytes and discarding remainder beyond 8 bytes.

AAAA AAAA BBBB BBBB CCCC CCCC DDDD DDDD (CSUM)

Keypad Operation Instructions (AY-W6360)

- Where:
- A = 4th (MSB) byte of card serial number
 - B = 3rd byte of card serial number
 - C = 2nd byte of card serial number
 - D = 1st (LSB) byte of card serial number
 - CSUM = Checksum value, 1 byte (A+B+C+D)

6.9 Changing the Programming Code

To change the Programming code:

1. Enter Programming mode.



Orange

2. Press **3** to enter Menu 3.

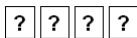


The Transmit LED flashes green.



Green

3. Enter the new code you wish to set as the Programming code.



You hear three beeps.



Red

The system returns to Transmit mode.

6.10 Changing the Facility Code

To change the Facility code:

1. Enter Programming mode.

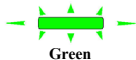


Orange

2. Press **4** to enter Menu 4.



The Transmit LED flashes green.



Green

3. Enter the new 3-digit code you wish to set as the Facility code.



You hear three beeps.



The system returns to Transmit mode.



Note

- The default Facility code is 001.
- Facility codes can be in the range between 000 and 255.

6.11 Setting the Backlight

To set the backlight:

1. Enter Programming mode.



2. Press **6** to enter Menu 6.



The Transmit LED flashes green.



3. Enter the appropriate option number for the backlight option that you wish to select:
- **0** for always off
 - **1** for always on
 - **2** for 10 sec. backlight after a key is pressed otherwise off
 - **3** for 10 sec. backlight after a key is pressed otherwise dimmed

You hear three beeps.



The system returns to Transmit mode.

6.12 Return to Factory Default Settings



You must be very careful before using this command! Doing so erases the entire memory that includes all user and special codes, and returns all codes to their factory default settings.

To return to factory default settings:

1. Enter Programming mode.
2. Press **0** to enter Menu 0.



The Transmit LED flashes green.



3. Enter your Programming code.

If the Programming code is valid, all memory is erased. You hear three beeps and the controller returns to Transmit mode.

If the Programming code is invalid you hear a long beep and the controller returns to Transmit mode without erasing the memory of the controller

6.13 Replacing a lost Programming Code

In the event that the Programming code is forgotten, the AY-W6360 may be reprogrammed in the field using the following instructions:

1. Remove power from the reader.
2. Activate tamper by removing the reader from the wall or removing the reader's case.
3. Apply power to the reader.
4. You now have 10 seconds to enter Programming mode using the factory default Programming code 1234.

A. Limited Warranty

The full ROSSLARE Limited Warranty Statement is available in the Quick Links section on the ROSSLARE website at www.rosslaresecurity.com.

Rosslare considers any use of this product as agreement to the Warranty Terms even if you do not review them.



Asia Pacific, Middle East, Africa

Rosslare Enterprises Ltd.
Kowloon Bay, Hong Kong
Tel: +852 2795-5630
Fax: +852 2795-1508
support.apac@rosslaresecurity.com

United States and Canada

Rosslare Security Products, Inc.
Southlake, TX, USA
Toll Free: +1-866-632-1101
Local: +1-817-305-0006
Fax: +1-817-305-0069
support.na@rosslaresecurity.com

Europe

Rosslare Israel Ltd.
Rosh HaAyin, Israel
Tel: +972 3 938-6838
Fax: +972 3 938-6830
support.eu@rosslaresecurity.com

Latin America

Rosslare Latin America
Buenos Aires, Argentina
Tel: +54-11-4001-3104
support.la@rosslaresecurity.com

China

Rosslare Electronics (Shenzhen) Ltd.
Shenzhen, China
Tel: +86 755 8610 6842
Fax: +86 755 8610 6101
support.cn@rosslaresecurity.com

India

Rosslare Electronics India Pvt Ltd.
Tel/Fax: +91 20 40147830
Mobile: +91 9975768824
sales.in@rosslaresecurity.com

ROSSLARE
SECURITY PRODUCTS
www.rosslaresecurity.com

