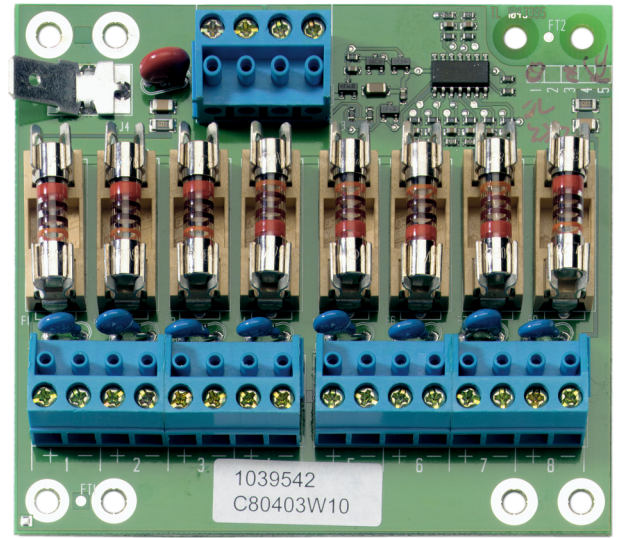


ATS1840

ATS Fuse Board

Product Overview

It is an 8-way fuse board to provide for separate fused power supply outputs. Fuse fail is indicated by a dedicated output that can be connected directly to any zone on the ATS control panel (or ATS1201 DGP).



Details

- Max. current/output 315 mA max.

ATS1840

ATS Fuse Board

Technical specifications

General

Accessory group	ATS Master
Type	Module

Electrical

Operating voltage	10.5 to 13.8 VDC
Current consumption	3 mA max.

Physical

Physical dimensions	90 x 80 x 20 mm
---------------------	-----------------

Environmental

Operating temperature	0 to +50°C
Relative humidity	95% noncondensing



As a company of innovation, Carrier Fire & Security reserves the right to change product specifications without notice. For the latest product specifications, visit firesecurityproducts.com online or contact your sales representative.

Last updated on 5 May 2023 - 9:31