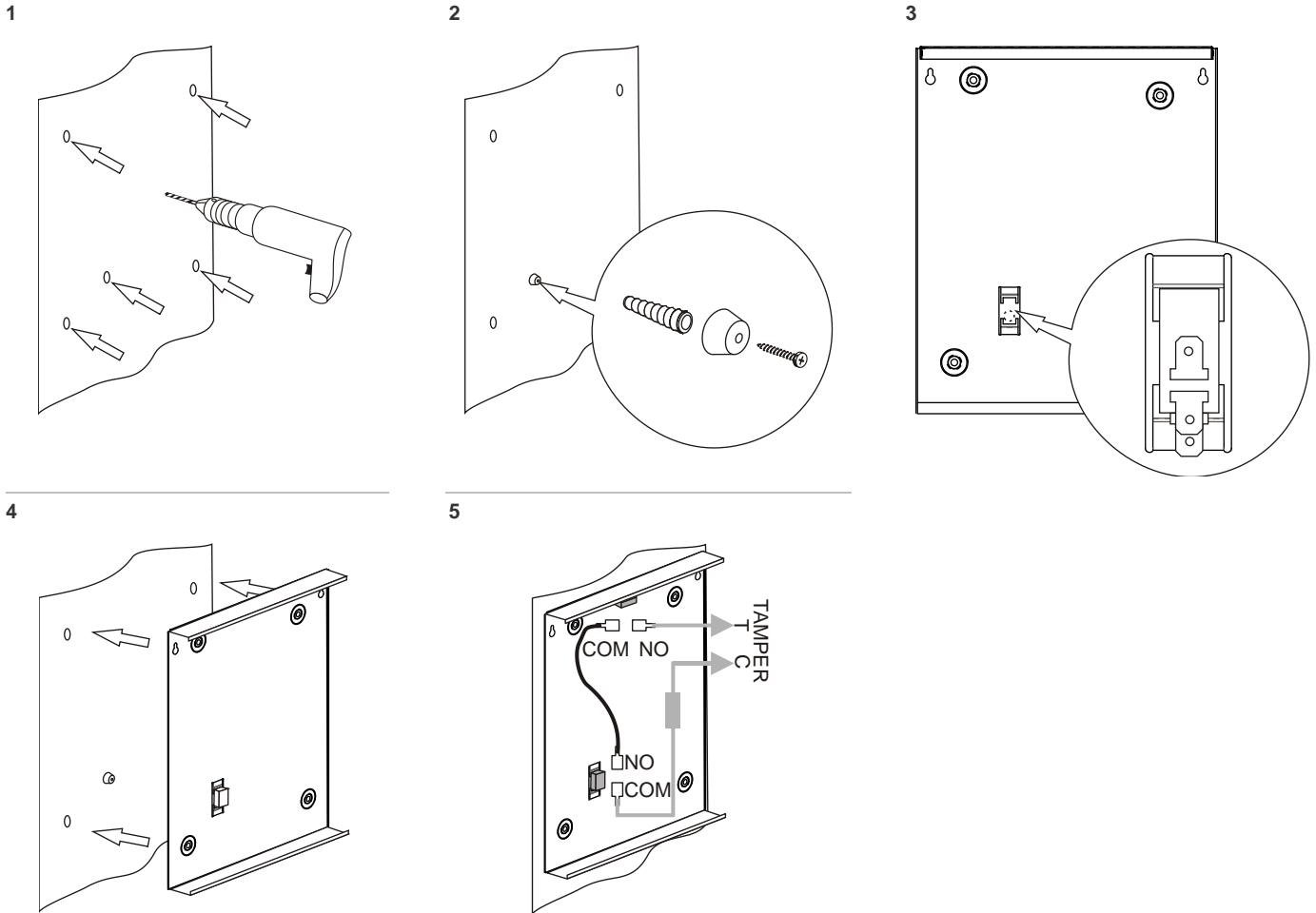


ATS-MM-TK Pry-off Tamper Kit Installation Sheet

EN



EN: Installation Sheet

Description

ATS-MM-TK is a pry-off tamper kit for Advisor Advanced ATS1000A-MM and ATS2000A-MM control panels.

Installation

Follow the steps shown in Figures.

Caution: Once the ATS-MM-TK tamper assembly has been fitted, the wires coming from the tamper microswitch must be wrapped around and secured to one of the nearby fixing pillars, so that there is no slack left in the tamper wiring between the microswitch and the pillar it is wrapped around.

Contact information

www.firesecurityproducts.com or www.aritech.com

Regulatory information

Manufacturer	<p>PLACED ON THE MARKET BY: Carrier Fire & Security Americas Corporation Inc. 13995 Pasteur Blvd Palm Beach Gardens, FL 33418, USA</p> <p>AUTHORIZED EU REPRESENTATIVE: Carrier Fire & Security B.V. Kelvinstraat 7, 6003 DH Weert, Netherlands</p>
--------------	--

Product warnings
and disclaimers



THESE PRODUCTS ARE INTENDED FOR SALE TO AND INSTALLATION BY QUALIFIED PROFESSIONALS. CARRIER FIRE & SECURITY CANNOT PROVIDE ANY ASSURANCE THAT ANY PERSON OR ENTITY BUYING ITS PRODUCTS, INCLUDING ANY "AUTHORIZED DEALER" OR "AUTHORIZED RESELLER", IS PROPERLY TRAINED OR EXPERIENCED TO CORRECTLY INSTALL FIRE AND SECURITY RELATED PRODUCTS.

For more information on warranty disclaimers and product safety information, please check <https://firesecurityproducts.com/policy/product-warning/> or scan the QR code.

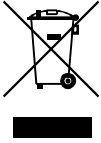
Certification



REACH

Product may contain substances that are also Candidate List substances in a concentration above 0.1% w/w, per the most recently published Candidate List found at ECHA Web site.

Safe use information can be found at <https://firesecurityproducts.com/en/content/intrusion-intro>



2012/19/EU (WEEE directive): Products marked with this symbol cannot be disposed of as unsorted municipal waste in the European Union. For proper recycling, return this product to your local supplier upon the purchase of equivalent new equipment, or dispose of it at designated collection points. For more information see: www.recyclethis.info
