

ACL800SUW-RDPX Surface Mount RFID Reader Installation Sheet



Description

These surface mount proximity readers include a buzzer and a tri-color LED for state indication (access granted, access denied or idle).

ACL800SUW-RDPX is capable of reading Casi Rusco, EM and HID compatible cards/fobs (125 kHz).

Mounting

Figure 1: Mounting instructions



Wiring

Figure 2: Wiring instructions

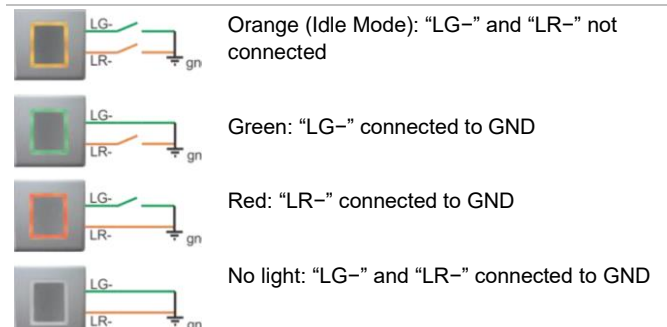


1	tamp	Grey	Tamper
2	tamp	Blue	Tamper
3	LG-	Yellow	LED Green minus
4	LR-	Orange	LED Red minus
5	GND	Black	Ground

6	+12 V	Red	9 to 14 VDC
7	D0	Green	Data 0
8	D1	White	Data 1

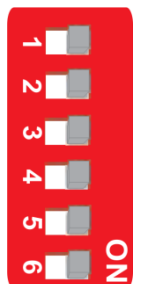
Tricolor LED and DIP switch LED

Figure 3: LED



DIP switch settings

1. Backlight in idle mode ON/OFF
2. Buzzer on read card ON/OFF
3. Not used
4. Enable HID (ON_OFF)
5. Enable EM or CASI (ON_OFF)
6. Select EM or CASI (ON-EM; OFF-Casi Rusco)



Card type selection



HID only HID and EM HID and Casi Casi only EM only

Settings in TruPortal software

Go to System Administration/Card Formats. Select the Wiegand format that corresponds to the card type:

- 32 bit 14443 cascade 1 for EM Cards
- 40 bit CASI 4002 for Casi Rusco Cards
- The HID formats available for HID Cards

Format Name:

Format Type:

Facility Code:

Total Bit Length:

Data Field:	Starting Bit:	Bit Length:
Card Number	<input type="text" value="0"/>	<input type="text" value="32"/>
Facility Code	<input type="text" value="0"/>	<input type="text" value="0"/>
Issue Code	<input type="text" value="0"/>	<input type="text" value="0"/>

Parity Type:	Start Offset:	Length:	Check Bit Offset:
Even	<input type="text" value="0"/>	<input type="text" value="0"/>	<input type="text" value="0"/>
Odd	<input type="text" value="0"/>	<input type="text" value="0"/>	<input type="text" value="0"/>

Format Name:

Format Type:

Facility Code:

Total Bit Length:

Data Field:	Starting Bit:	Bit Length:
Card Number	<input type="text" value="1"/>	<input type="text" value="38"/>
Facility Code	<input type="text" value="0"/>	<input type="text" value="0"/>
Issue Code	<input type="text" value="0"/>	<input type="text" value="0"/>

Parity Type:	Start Offset:	Length:	Check Bit Offset:
Even	<input type="text" value="1"/>	<input type="text" value="19"/>	<input type="text" value="0"/>
Odd	<input type="text" value="0"/>	<input type="text" value="39"/>	<input type="text" value="39"/>

pcProxConfig | pcProx® and pcProxPlus® Enroll Configuration Utility for USB, Serial & Ethernet Readers

File Connect Device Navigation View Card Analyzer Help

Connect Disconnect Write Active

Configuration # 1 EM 410x : RDR-6E8x Compatible High priority

Connect Timing SDK Format Secure Bluetooth®

Data format / Delimiters Extended / Hashing

ABC 123 : 987654321XYZT GN

Wiegand to keystroke data format

Parity bits

Strip leading bit count

Strip trailing bit count

☐ Send FAC ☐ Send FAC as hexadecimal number

☒ Send ID ☐ Send ID as hexadecimal number

ID field bit count

☐ Fix length FAC / ID fields

FAC digits

ID digits

Advanced settings

☐ Only read cards with this bit count

☐ Display hexadecimal in lowercase (a-f)

☒ Use numeric keypad for 0-9 (European)

☐ AZERTY keyboard shift lock

☐ FAC extended precision math on

☒ ID extended precision math on

☐ Reverse Wiegand bytes

☐ Reverse Wiegand bits

☒ Invert Wiegand bits

☐ Emulate ProxPro - append serial checksum

Output test area

☐ Auto GetID ☐ Auto focus ☐ Auto clear Clear

88011378
185006818

USB #01 LUID:0/0a0000

Specifications

Operating voltage	9 to 14 VDC
Current consumption	150 mA at 12 VDC
Interface	Wiegand according to the card type Wiegand 32 bit – EM410x Cards Wiegand 40 bit – Casi Rusco Automatic Wiegand – HID Cards
EM410x Wiegand 32 description	32 data bits Pulse width: 100 µs Pause: 1 ms Wiegand for EM410x Cards
Casi Rusco Wiegand 40 description	Even parity + 38 data bits + odd parity Pulse width: 100 µs Pause: 1 ms P1 = even parity calculated over the bits 1 to 19 P2 = odd parity calculated over the bits 0 to 39 Wiegand for Casi Rusco cards
Operating frequency	125 kHz
Card technology	EM, Casi Rusco or HID
Read Range	Casi Rusco, HID up to 4 cm, EM up to 6 cm
Buzzer ON/OFF	Yes, by DIP switch
LED	Tricolor
LED control	Yes, by wires
Backlight ON/OFF	Yes, by DIP switch
Tamper	Yes
Cable distance	50 m according to Wiegand standard
Panel connection	Cable, 1 m
Material of design housing	ABS
Dimensions (W x H x D)	51 x 92 x 27 mm
Operating temperature	-20 to +50°C
Relative humidity	0 to 95% noncondensing
Color	-S = Silver, -G = Charcoal, -B= Black
Shipping weight	260 g

Settings in pcProxConfig software

Select Casi Rusco (Carrier) or EM 410x or some of the available HID formats as card type.

Use these settings in the pcProx Config software when reading the card via the TP-RDR-LRN desktop reader.

Regulatory information

Manufacturer	PLACED ON THE MARKET BY: Carrier Fire & Security Americas Corporation Inc. 13995 Pasteur Blvd Palm Beach Gardens, FL 33418, USA AUTHORIZED EU REPRESENTATIVE: Carrier Fire & Security B.V. Kelvinstraat 7, 6003 DH Weert, Netherlands
--------------	---

Product warnings and disclaimers



THESE PRODUCTS ARE INTENDED FOR SALE TO AND INSTALLATION BY QUALIFIED PROFESSIONALS. CARRIER FIRE & SECURITY CANNOT PROVIDE ANY ASSURANCE THAT ANY PERSON OR ENTITY BUYING ITS PRODUCTS, INCLUDING ANY "AUTHORIZED DEALER" OR "AUTHORIZED RESELLER", IS PROPERLY TRAINED OR EXPERIENCED TO CORRECTLY INSTALL FIRE AND SECURITY RELATED PRODUCTS.

For more information on warranty disclaimers and product safety information, please check <https://firesecurityproducts.com/policy/product-warning/> or scan the QR code.



European Union directives

Carrier Fire & Security hereby declares that this device is in compliance with the applicable requirements and provisions of all applicable rules and regulations, including but not limited to the Directive 2014/53/EU. For more information see: firesecurityproducts.com

REACH

Product may contain substances that are also Candidate List substances in a concentration above 0.1% w/w, per the most recently published Candidate List found at ECHA Web site.

Safe use information can be found at <https://firesecurityproducts.com/en/content/intrusion-intro>



2012/19/EU (WEEE directive): Products marked with this symbol cannot be disposed of as unsorted municipal waste in the European Union. For proper recycling, return this product to your local supplier upon the purchase of equivalent new equipment, or dispose of it at designated collection points. For more information see: recyclethis.info

Product documentation

Please consult the following web link to retrieve the electronic version of the product documentation.



This link will guide you to the EMEA regional contact page. On this page you can request your login to the secured web portal where all manuals are stored.

<https://firesecurityproducts.com/en/contact>

Contact information

firesecurityproducts.com or www.aritech.com

