

# ACL800SUW-RDPX

## Reader Installation Sheet

EN

### Surface Mount Proximity Reader



Figure 1: Front view

#### Description

These **ACL800SUW-RDPX** surface mount proximity readers includes a buzzer and a tri-color LED for state indication (access granted, access denied or idle). ACL800SUW-RDPX is capable of reading Casi Rusco, EM and HID compatible cards/fobs (125 kHz).

#### Mounting

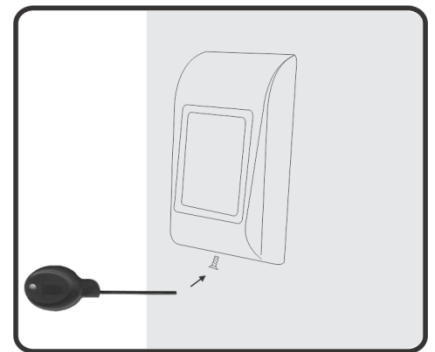
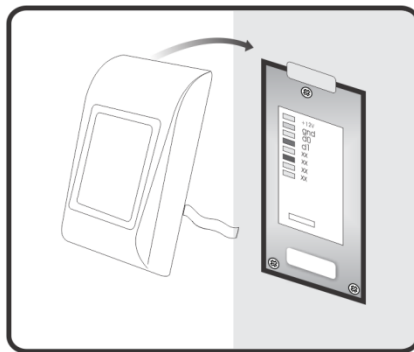
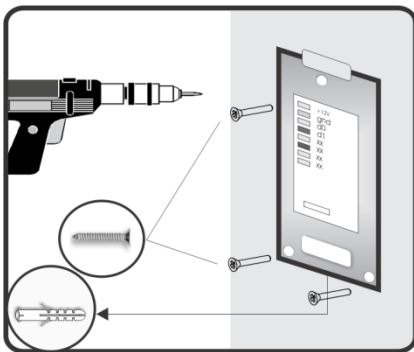
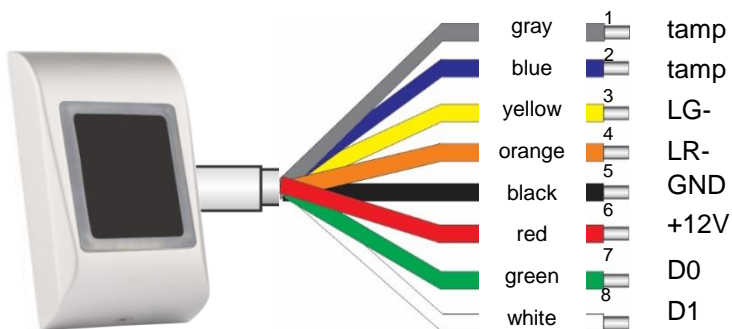


Figure 2: Mounting instructions

#### Wiring



1	tamp	Tamper
2	tamp	Tamper
3	LG-	LED Green minus
4	LR-	LED Red minus
5	GND	Ground
6	+12V	9 to 14 VDC
7	D0	Data 0
8	D1	Data 1

Figure 3: Wiring instructions

## Specifications

Supply voltage	9 to 14 VDC
Current consumption	50 mA at 12 VDC
Interface	Wiegand according to the card type Wiegand 32 bit - <b>EM410x Cards</b> Wiegand 40 bit – <b>Casi-Rusco</b> Automatic Wiegand - <b>HID Cards</b>
<b>EM410x</b> Wiegand 32 description	<b>32 data bits</b> Pulse width: 100 µs Pause: 1 ms <b>Wiegand for EM410x Cards</b>
<b>Casi-Rusco</b> Wiegand 40 description	<b>even parity + 38 data bits + odd parity</b> Pulse width: 100 µs Pause: 1 ms P1 = even parity calculated over the bits 1 to 19 P2 = odd parity calculated over the bits 0 to 39 <b>Wiegand for Casi-Rusco cards</b>
<b>HID</b> Wiegand 26 – 37 bit	Automatic Wiegand according to the HID card type
Operating frequency	125 kHz
Card technology	EM, Casi-Rusco or HID
Read Range	Casi-Rusco, HID up to 4 cm, EM up to 6 cm
Buzzer ON/OFF	Yes, by DIP switch (ON = beeps on card read)
LED	Tricolor
LED control	Yes, by wires
Backlight ON/OFF	Yes, by DIP switch (ON = Idle mode is Orange)
Tamper	Yes
Cable distance	50 m according to Wiegand standard
Panel connection	Cable, 1 m
Material of design housing	ABS
Dimensions (W x H x D)	51 x 92 x 27 mm
Operating Temperature	-20 to +50°C
Relative Humidity	0 to 95% noncondensing
IP rating	IP65
Color	-S = Silver, -G = Grey, -B= Black
Weight (shipping)	260 g
Weight (product)	160 g

## Tricolor LED

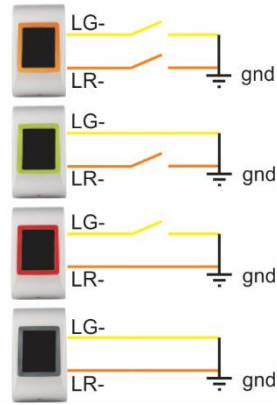


Orange: "LG-" and "LR-" not connected

Green: "LG-" connected to GND

Red: "LR-" connected to GND

No light: "LG-" and "LR-" connected to GND



## DIP switch settings

1. **Backlight** in idle mode Orange ON/OFF
2. **Buzzer** on card read ON/OFF
3. not used
4. **Enable HID** (ON\_OFF)
5. **Enable EM** or **CASI** (ON\_OFF)
6. Select **EM** or **CASI** (ON-EM; OFF-Casi Rusco)



## Card type selection



HID only



HID and EM



HID and Casi



Casi only



EM only

## Settings in TruPortal Software

Go to System Administration/Card Formats. Select the Wiegand format that corresponds to the card type:

- 32 bit 14443 cascade 1 for EM Cards
- 40 bit CASI 4002 for Casi Rusco Cards
- The HID formats available for HID Cards

Format Name:

Format Type:

Facility Code:

Total Bit Length:

Data Field:	Starting Bit:	Bit Length:
Card Number	<input type="text" value="0"/>	<input type="text" value="32"/>
Facility Code	<input type="text" value="0"/>	<input type="text" value="0"/>
Issue Code	<input type="text" value="0"/>	<input type="text" value="0"/>

Parity Type:	Start Offset:	Length:	Check Bit Offset:
Even	<input type="text" value="0"/>	<input type="text" value="0"/>	<input type="text" value="0"/>
Odd	<input type="text" value="0"/>	<input type="text" value="0"/>	<input type="text" value="0"/>

Format Name:

Format Type:

Facility Code:

Total Bit Length:

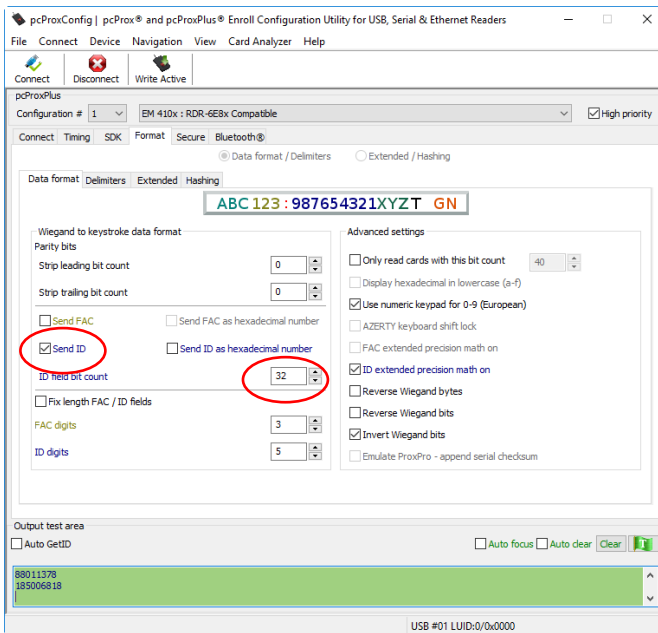
Data Field:	Starting Bit:	Bit Length:
Card Number	<input type="text" value="1"/>	<input type="text" value="38"/>
Facility Code	<input type="text" value="0"/>	<input type="text" value="0"/>
Issue Code	<input type="text" value="0"/>	<input type="text" value="0"/>

Parity Type:	Start Offset:	Length:	Check Bit Offset:
Even	<input type="text" value="1"/>	<input type="text" value="19"/>	<input type="text" value="0"/>
Odd	<input type="text" value="0"/>	<input type="text" value="39"/>	<input type="text" value="39"/>

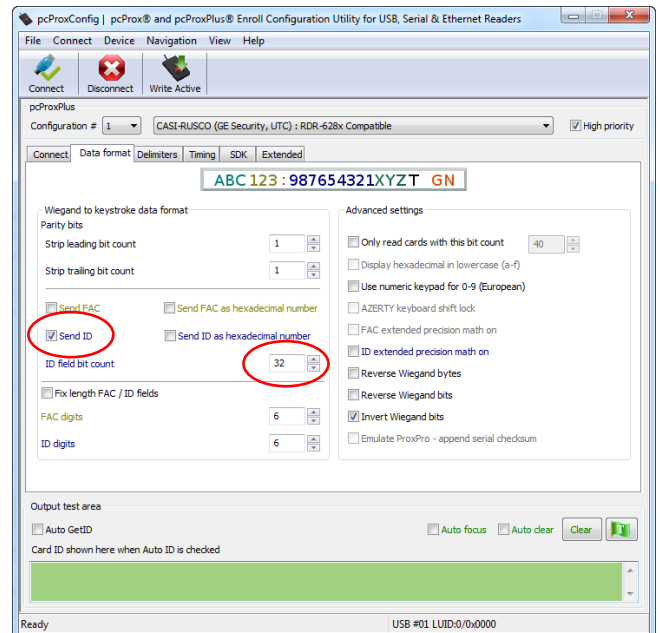
## Settings in pcProxConfig Software

Select Casi Rusco (GE Security, UTC) or EM 410x or some of the available HID formats as card type. Use these settings in the pcProx Config Software when reading the card via the TP-RDR-LRN desktop Reader.

### EM



### Casi Rusco



Manufacturer	UTC Fire & Security Americas Corporation, Inc. 1275 Red Fox Rd., Arden Hills, MN 55112-6943, USA Authorized EU manufacturing representative: UTC Fire & Security B.V. Kelvinstraat 7, 6003 DH Weert, Netherlands
Version	This document applies to ACL800SUW-RDPX hardware
Certification and Regulatory information	 <p>This product herewith complies with requirements of EMC directive 2014/30/EU, Radio Equipment Directive 2014/53/EU. In addition it complies with RoHS directive EN50581:2012</p>
Contact information	<a href="https://firesecurityproducts.com">https://firesecurityproducts.com</a> or <a href="http://www.interlogix.com">www.interlogix.com</a>

**Product Warnings and Disclaimers**  
 THESE PRODUCTS ARE INTENDED FOR SALE TO, AND INSTALLATION BY, AN EXPERIENCED SECURITY PROFESSIONAL. UTC FIRE & SECURITY CANNOT PROVIDE ANY ASSURANCE THAT ANY PERSON OR ENTITY BUYING ITS PRODUCTS, INCLUDING ANY "AUTHORIZED DEALER", IS PROPERLY TRAINED OR EXPERIENCED TO CORRECTLY INSTALL SECURITY RELATED PRODUCTS.

For more information on warranty disclaimers and product safety information, please check <https://www.utcssecurityproducts.eu/productwarning/> or scan the following code:

