

ACL800-PB

Installation Sheet

EN

Surface Mount RTE Push Button



Figure 1: Front view

Description

The **ACL800-PB** is a request-to-exit switch. It will work independently (standalone) or can equally be connected via a controller to provide exit from a secured area (Push Button Input). Includes a buzzer and a dual LED. ACL800-PB can work in pulse (3, 5, 10 seconds) or latch mode.

Mounting

1. Identify a suitable location on a wall or a flat surface.
2. Stick the “drilling template” provided on chosen location. Drill 3 holes.
3. Insert the three 5 mm wall plugs provided into the drilled holes.
4. Route the cables through the holes provided in the back plate.
5. Fix the back plate on the wall using 3 x 30 mm CSK screws.
6. Connect the wires.
7. After wiring, place the housing over the fixed back plate and guide the slot into the back plate tab and slide it downwards.
8. Fix the housing to the back plate with a M3 x 6 mm security screw on the bottom of the housing using a security screwdriver provided.

Important Note: Several layers of protection are provided against transient voltages from static discharge, lightning and power supply spikes. For protection to be fully effective, earthing should be done correctly.

Specifications

Supply voltage	12 to 24 VDC; 15 to 24 VAC
Current requirements	65 mA at 12 VDC
Relay Output	2 A at 24 VDC/ 120 VAC
Buzzer	Yes
LED	Dual LED, Normal : red, Relay operation : green
LED control	Yes, by DIP switch
Tamper	Yes
Backlight ON/OFF	Yes, by DIP switch
Panel connection	Cable, 1 m
Material of design housing	Molded aluminum
Silver, Grey, and White	ABS
Black	
Dimensions (W x H x D)	
Sliver, Charcoal and White	51 x 92 x 25 mm
Black	51 x 92 x 27 mm
Operating Temperature	-20 to +50°C
Relative humidity	0 to 95% noncondensing
IP rating	IP65
Color	-S = Silver, -G = Grey, -B= Black, -W = White
Weight (shipping)	295 g
Weight (product)	163 g

Wiring

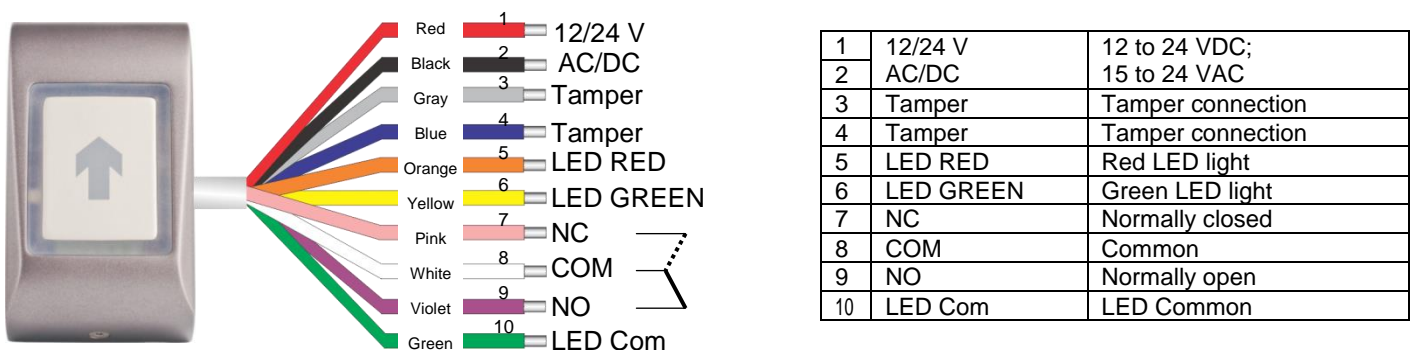
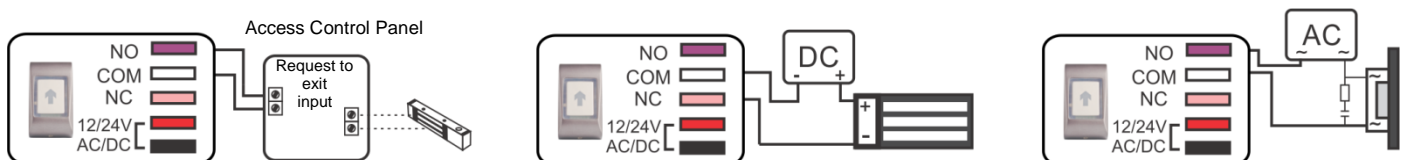


Figure 2: Wiring instructions

Application diagram



DIP switch settings

Set relay timer – 2 position DIP switch

Operation	Switch 1	Switch 2
Latch Mode (ON/OFF Mode)	ON	ON
10 seconds	ON	OFF
5 seconds	OFF	ON
3 seconds	OFF	OFF



Buzzer and LED control – 4 position DIP switch

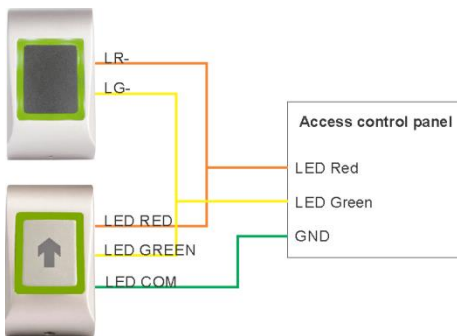
- 1 – Buzzer ON/OFF
- 2 – Backlight in idle mode ON/OFF
- 3 – LED Control - Internal or external (via LED wires)
- 4 – Default state – State of the controller's input for the LEDs




Switch 1 (Buzzer)	Switch 2 (Backlight)	Switch 3 (LED Control)	Switch 4 (Default state)	Relay	Yellow Wire (Green LED)	Orange Wire (Red LED)	Backlight
ON – Buzzer ON							
OFF – Buzzer OFF							
	OFF	OFF		ON			
				OFF			No light
	ON	OFF		ON			
				OFF			
			Default High				
	ON	ON	OFF		Hi	Hi	
					Low	Hi	
					Hi	Low	
					Low	Low	No light
					Hi	Hi	No light
	OFF	ON	OFF		Low	Hi	
					Hi	Low	
					Low	Low	
			Default Low				
	ON	ON	ON		Hi	Hi	No light
					Low	Hi	
					Hi	Low	
					Low	Low	
	OFF	ON	ON		Hi	Hi	
					Low	Hi	
					Hi	Low	
					Low	Low	No light

Note: The LED light can be controlled internally or externally (by LED wires). If switch 3 is OFF then the control of the light is left to the device itself. If switch 3 is ON, then the LED light is controlled by the device where the LED wires are connected.

Switch 4 defines the default state of the device, where the LED wires are connected. Default Low is GND and default high is 12 V or open.



Example of externally controlled LED light, where the exit button's light follows the reader's light.

Manufacturer	UTC Fire & Security Americas Corporation, Inc. 1275 Red Fox Rd., Arden Hills, MN 55112-6943, USA Authorized EU manufacturing representative: UTC Fire & Security B.V. Kelvinstraat 7, 6003 DH Weert, Netherlands
Version	This document applies to ACL800-PB hardware
Certification and Regulatory information	 <p>This product herewith complies with requirements of EMC directive 2014/30/EU. In addition it complies with RoHS directive EN50581:2012</p>
Contact information	https://firesecurityproducts.com or www.interlogix.com
Product Warnings and Disclaimers	<p>THESE PRODUCTS ARE INTENDED FOR SALE TO, AND INSTALLATION BY, AN EXPERIENCED SECURITY PROFESSIONAL. UTC FIRE & SECURITY CANNOT PROVIDE ANY ASSURANCE THAT ANY PERSON OR ENTITY BUYING ITS PRODUCTS, INCLUDING ANY "AUTHORIZED DEALER", IS PROPERLY TRAINED OR EXPERIENCED TO CORRECTLY INSTALL SECURITY RELATED PRODUCTS.</p> <p>For more information on warranty disclaimers and product safety information, please check https://www.utcssecurityproducts.eu/productwarning/ or scan the following code:</p> 