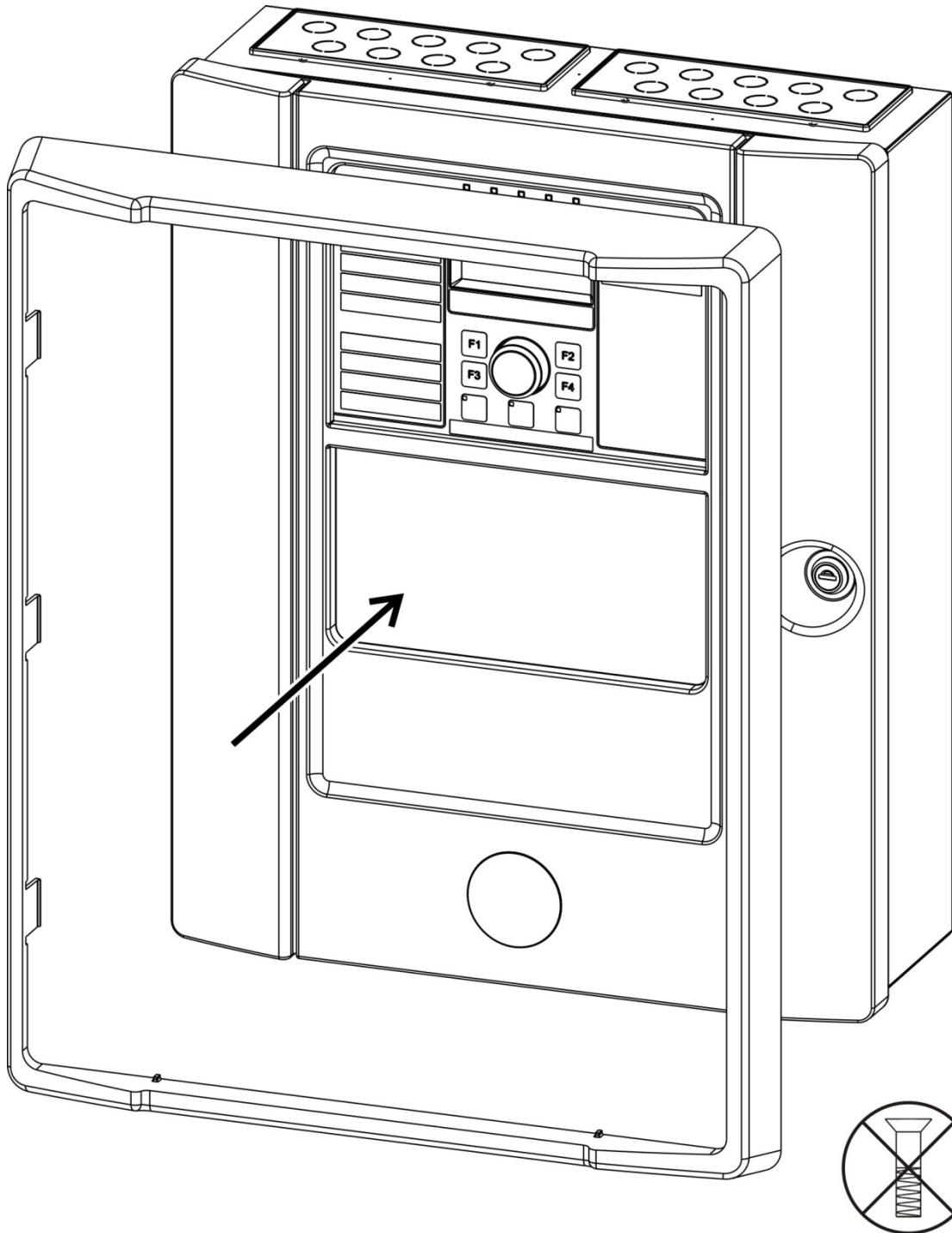
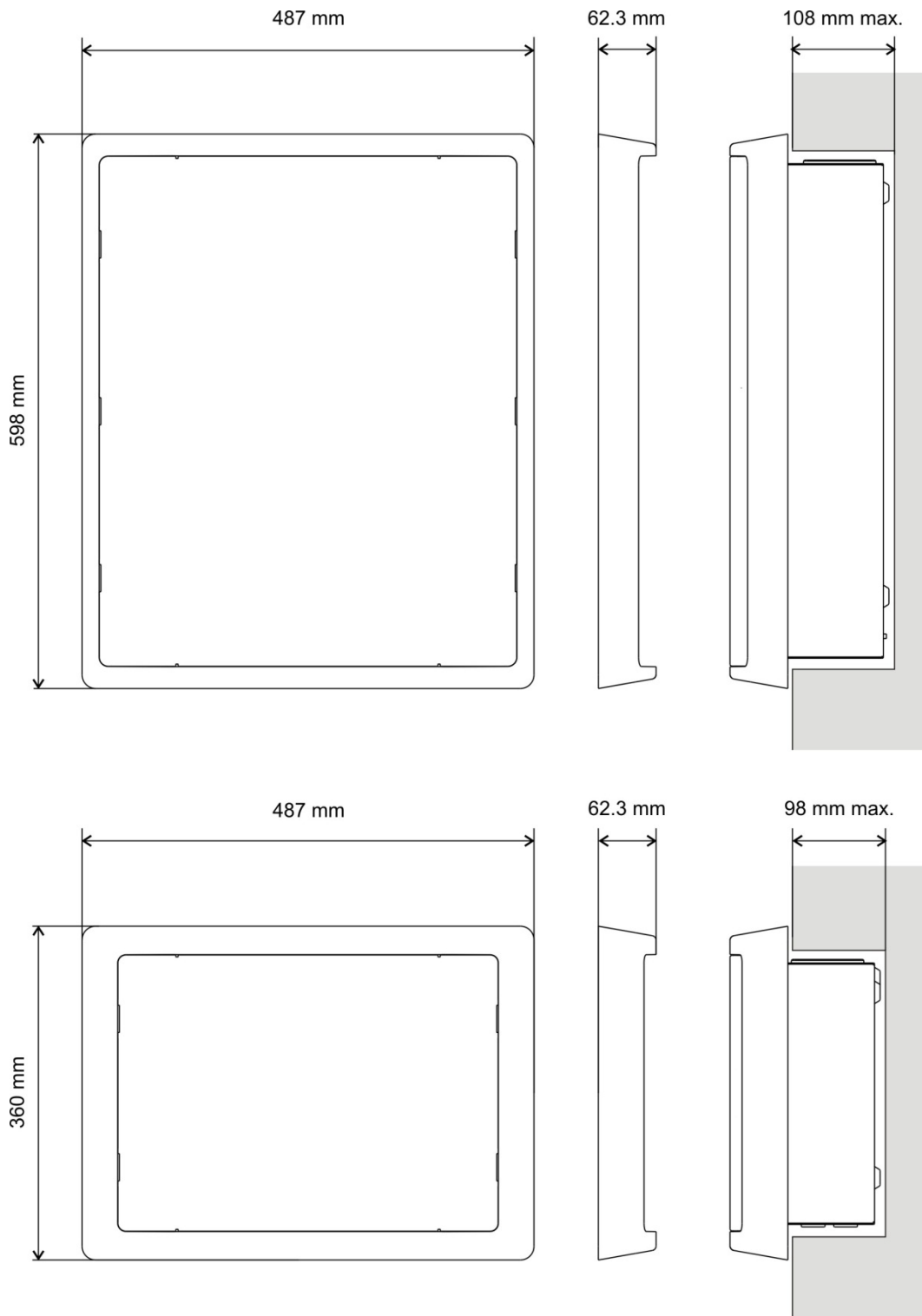




2010-2T-FM Flush Mount Installation Sheet

1





Regulatory information

Conformity



Manufacturer

Shenzhen EVA Mould Manufacturing Company Ltd, EVA Industrial Park, Nan Huan Road, Tian Liao Community, Guang Ming New Area, Shenzhen, Guangdong Province, 518106, China.

Authorized EU manufacturing representative:
Carrier Fire & Security B.V., Kelvinstraat 7,
6003 DH Weert, Netherlands.

Contact information

For contact information or to download the latest product documentation, visit firesecurityproducts.com.